

□ **PO-320C**

□ **PO-320SS**



## **4" Two Handle Bar Faucet**



# **Product Spec Sheet**

### **FEATURES & BENEFITS**

- This Product Contains Less Than 0.25% Weighted Average Lead Content On Wetted Surfaces
- Metal Lever Handles
- Ceramic Cartridges
- Max Flow Rate 1.5 GPM (5.7 L/MIN) At 60 PSI (ASME A112.18.1M/A112.18.1)

PO-320C  
Chrome Finish

PO-320SS  
Stainless Steel Finish

### **APPROVALS:**

**Meets or Exceeds The Following:**

- \* ANSI/ASME A112.18.1M/A112.18.1
- \* NSF/ANSI 61 - Sec. 9
- \* NSF/ANSI 372
- \* IAPMO/cUPC
- \* CA AB1953



NSF/ANSI 372  
NSF/ANSI 61-9



**CALIFORNIA:**  
**TEXAS:**  
**NEW YORK:**

**TEL: 866-532-8306**  
**TEL: 800-935-5456**  
**TEL: 800-431-2082**

**FAX: 866-532-8307**  
**FAX: 800-683-4247**  
**FAX: 800-640-2252**

Visit Our Web Site : [www.matco-norca.com](http://www.matco-norca.com)

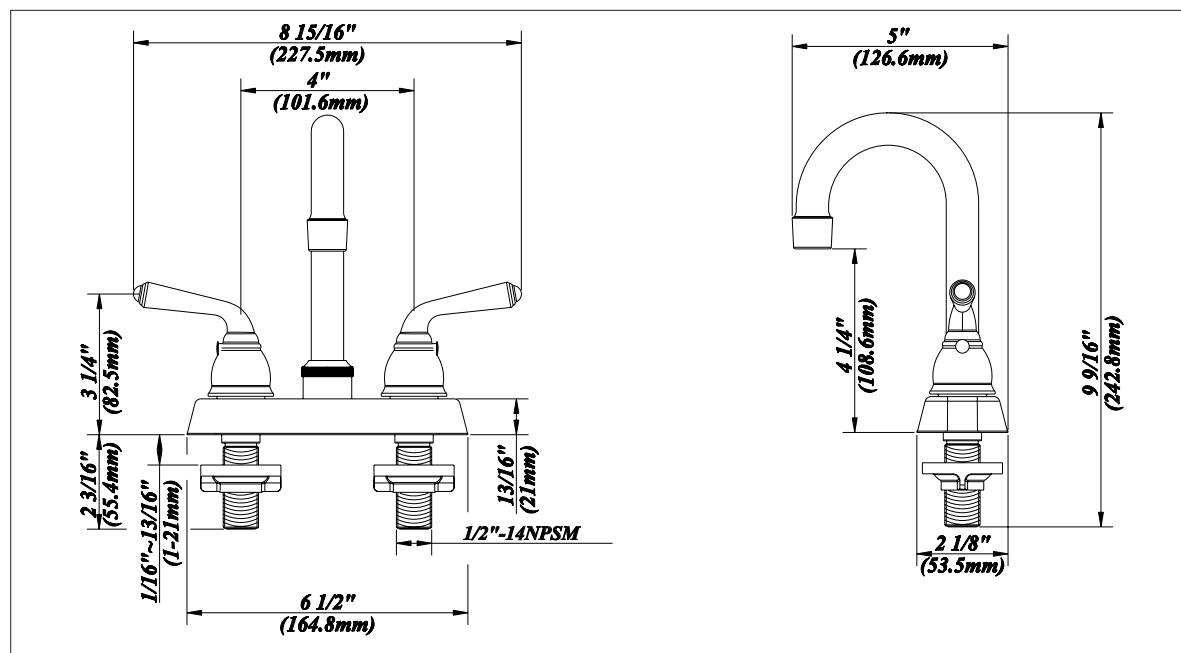
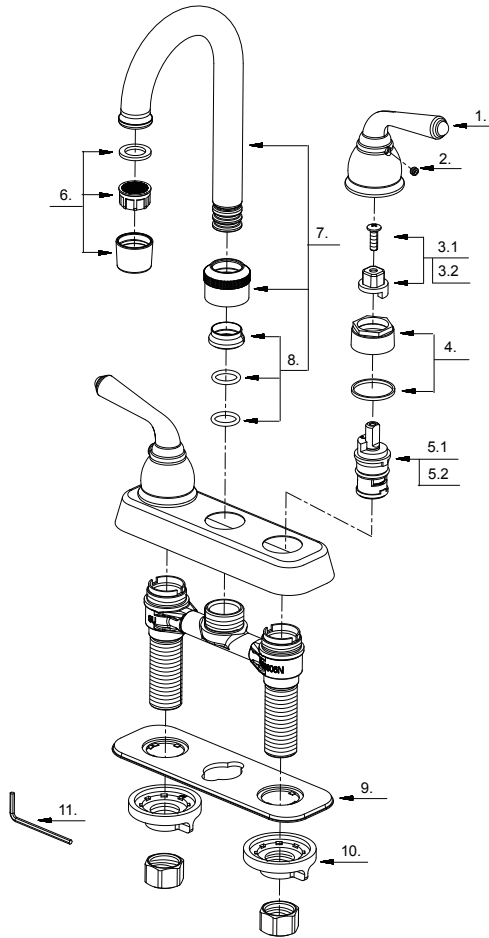
□ **PO-320C**

□ **PO-320SS**



# 4" Two Handle Bar Faucet

No.	Name	Part No.
1	Metal Handle	A069131
2	Screw (M5 * 8 mm L)	A075210
3.1	Handle Adaptor-Cold	A66D574C
3.2	Handle Adaptor-Hot	A66D574H
4	Retainer Nut & Washer	A663629
5.1	Ceramic Disc Cartridge-Cold	A507104N
5.2	Ceramic Disc Cartridge-Hot	A507103N
6	Aerator	A500549N-50
7	Spout Assembly	A666139N
8	Spout Seal Kit	A603235N
9	Putty Plate	A011018
10	Lock Nut Set	A504023
11	Hex Wrench (H2.5 * 19 mm L * 53 mm L)	A031000NI



**Product Spec Sheet**

CALIFORNIA:  
TEXAS:  
NEW YORK:

TEL: 866-532-8306  
TEL: 800-935-5456  
TEL: 800-431-2082

FAX: 866-532-8307  
FAX: 800-683-4247  
FAX: 800-640-2252

Visit Our Web Site : [www.matco-norca.com](http://www.matco-norca.com)