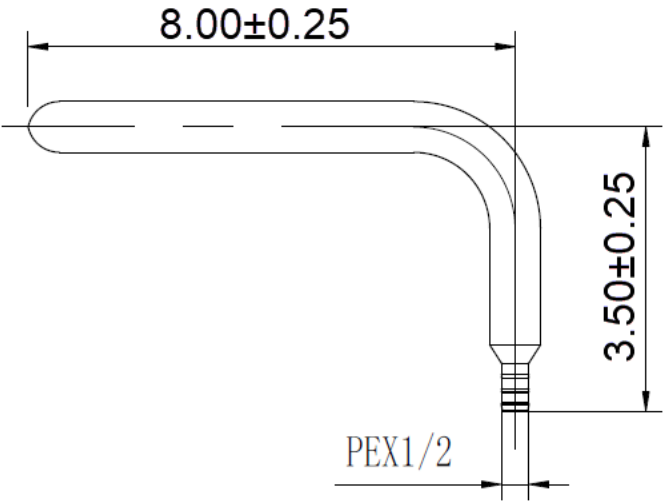


PEX Stub Out Elbow

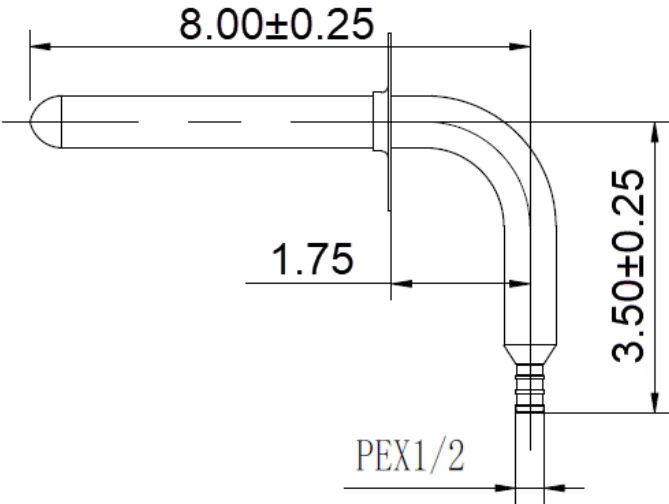
Specification Sheet

FEATURES & BENEFITS

- Angle F1807 PEX Stub Out Elbow
- Available with Wall Plate
- Copper - UNS C12200
- Certified: UPC, F1807, CSA B137.5, NSF 14, NSF 61, NSF 372
- Size 1/2" x 3-1/2" x 8"



CSOL-038PX



CSOL-038PXWP

