

PD-950C

PD-950BN

PD-900C

PD-900BN



Two Handle Roman Tub Faucet



FEATURES & BENEFITS

- Metal Lever Handles
- Ceramic Cartridges
- Max Flow Rate 2.5 GPM (9.5 L/MIN) at 80 PSI (ASME A112.18.1M/A112.18.1)

PD-950C
Chrome Finish

PD-950BN
Brushed Nickel Finish

PD-900C
Less Spray
Chrome Finish

PD-900BN
Less Spray
Brushed Nickel Finish

APPROVALS:

Meets or Exceeds The Following:

* ANSI/ASME A112.18.1M/A112.18.1

* IAPMO/cUPC



CALIFORNIA:
TEXAS:
NEW YORK:

TEL: 866-532-8306
TEL: 800-935-5456
TEL: 800-431-2082

FAX: 866-532-8307
FAX: 800-683-4247
FAX: 800-640-2252

Visit Our Web Site : www.matco-norca.com

Product Spec Sheet

PD-950C

PD-950BN

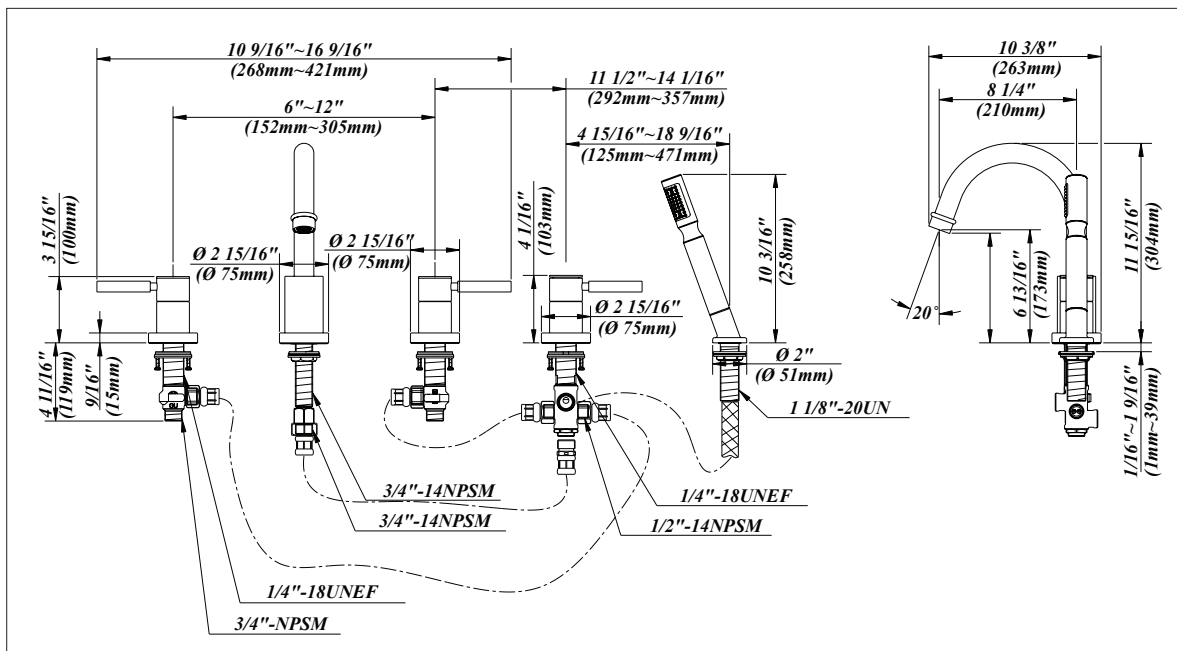
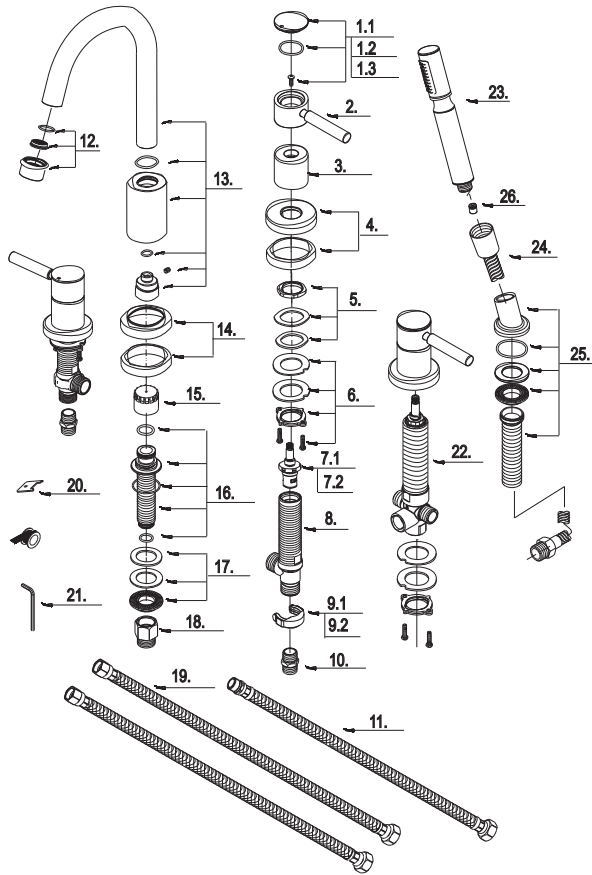
PD-900C

PD-900BN



Two Handle Roman Tub Faucet

No.	Name	Part No.
1.1	Index Button-Cold	A66D297C
1.2	Index Button-Hot	A66D297H
1.3	Index Button-Diverter	A66D297
2	Metal Handle Assembly	A662503
3	Handle Base	A018175
4	Handle Trim Ring	A667239
5	Mounting Hardware	A66D152
6	Mounting Hardware	A66D401
7.1	Ceramic Disc Cartridge-Cold	A507972
7.2	Ceramic Disc Cartridge-Hot	A507971
8	Handle Valve Body	A002639
9.1	Handle Valve Body Indicator Clip-Cold	A012024C
9.2	Handle Valve Body Indicator Clip-Hot	A012024H
10	Threaded Connector	A035002
11	Supply Hose	A134011
12	Flow Straightener	A66D046
13	Spout Set	A666239
14	Spout Trim Ring	A667240
15	Spout Rough In Cap	A045153
16	Spout Body	A663094
17	Mounting Hardware	A663972
18	Threaded Connector	A039008
19	Supply Hose	A134015
20	Flow Straightener Wrench	A031214NI
21	Hex Wrench (H4 * 20 mm L * 70 mm L)	A031017NI
22	Diverter Valve	A501381
23	Hand Shower w/Check Valve	S2311101
24	Spray Hose	A511403
25	Spray Holder Assembly (3-3/4"L)	A604627
26	Check Valve	A519204N



Product Spec Sheet

CALIFORNIA:
TEXAS:
NEW YORK:

TEL: 866-532-8306
TEL: 800-935-5456
TEL: 800-431-2082

FAX: 866-532-8307
FAX: 800-683-4247
FAX: 800-640-2252

Visit Our Web Site : www.matco-norca.com