

PD-730C
 PD-720BN
 PD-720CJP

PD-730BN
 PD-730CJP
 PD-720BNJP

PD-720C
 PD-730BNJP



Single Handle Tub & Shower Faucet

Product Spec Sheet



FEATURES & BENEFITS

- 3 Setting Fixed Showerhead
- Metal Lever Handle
- Washerless Pressure Blancing Valve
- Decorative Slip Fit Spout With Diverter
- Max Flow Rate 1.75 gpm (6.6 L/min) at 80 psi
- Min Flow Rate 1.3 gpm (4.92 L/min) at 45 psi (ASME A112.18.1M/A112.18.1)

APPROVALS:

Meets or Exceeds The Following:

- * ANSI/ASME A112.18.1M/A112.18.1
- * IAPMO/cUPC

PD-730C
Tub & Shower Faucet
Chrome Finish

PD-730BN
Tub & Shower Faucet
Brushed Nickel Finish

PD-720C
Shower Only Faucet
Chrome Finish

PD-720BN
Shower Only Faucet
Brushed Nickel Finish

PD-730CJP
Trim Kit for Tub & Shower Faucet
Chrome Finish

PD-730BNJP
Trim Kit for Tub & Shower Faucet
Brushed Nickel Finish

PD-720CJP
Trim Kit for Shower Only Faucet
Chrome Finish

PD-720BNJP
Trim Kit for Shower Only Faucet
Brushed Nickel Finish



* WaterSense Only On Models Containing Showerheads

CALIFORNIA:
TEXAS:
NEW YORK:

TEL: 866-532-8306
TEL: 800-935-5456
TEL: 800-431-2082

FAX: 866-532-8307
FAX: 800-683-4247
FAX: 800-640-2252

Visit Our Web Site : www.matco-norca.com

PD-730C
 PD-720BN
 PD-720CJP

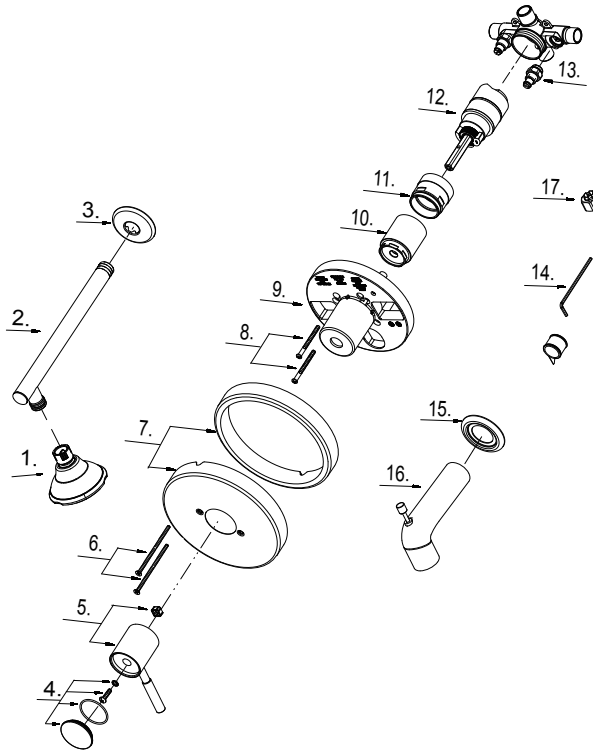
PD-730BN
 PD-730CJP
 PD-720BNJP

PD-720C
 PD-730BNJP

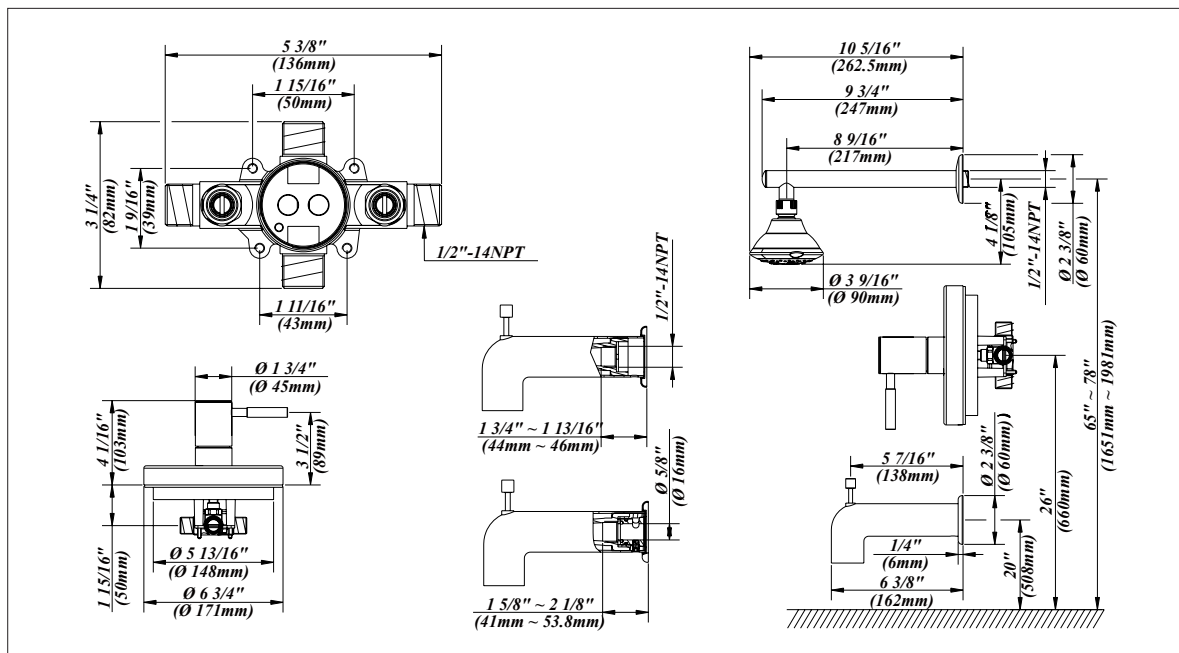


Single Handle Tub & Shower Faucet

No.	Name	Part No.
1	Shower Head	S1233G02
2	Shower Arm	A604635
3	Shower Arm Flange	A019001
4	Handle Cap	A66D592
5	Metal Handle	A662098
6	Screw Set (3/16" -24 * 4" L)	A608563
7	Escutcheon Assembly	A667809
8	Screw Set (3/16" -24 * 2-3/16" L)	A608519
9	Plaster Guard	A127211KP
10	Sleeve	A103322
11	Retainer Nut	A103310
12	Washerless Cartridge Assembly	A507902
13	Check Valve	A603120
14	Hex Wrench (H3.18 *20 mm L * 90 mm L)	A031017NI
15	Spout Escutcheon	A303070
16	Spout W/Diverter	A523010
17	Plug	A028452



Product Spec Sheet



CALIFORNIA:
TEXAS:
NEW YORK:

TEL: 866-532-8306
TEL: 800-935-5456
TEL: 800-431-2082

FAX: 866-532-8307
FAX: 800-683-4247
FAX: 800-640-2252

Visit Our Web Site : www.matco-norca.com