

□ **PD-550C** □ **PD-550BN**



Single Handle Lavatory Faucet



Product Spec Sheet

FEATURES & BENEFITS

- This Product Contains Less Than 0.25% Weighted Average Lead Content On Wetted Surfaces
- Ceramic Cartridge
- Metal Lever Handle
- With 50/50 Push Pop-up
- With Single Hole Or Three Hole Installation
- Max Flow Rate 1.2 gpm (4.5 L/min) at 60 psi

PD-550C
Chrome Finish

PD-550BN
Brushed Nickel Finish

APPROVALS:

Meets or Exceeds The Following:

- * NSF/ANSI 61 - Sec. 9
- * NSF/ANSI 372
- * IAPMO/cUPC
- * CA AB1953

CALIFORNIA:
TEXAS:
NEW YORK:
ILLINOIS:

TEL: 866-532-8306
TEL: 800-935-5456
TEL: 800-431-2082
TEL: 844-412-5068

FAX: 866-532-8307
FAX: 800-683-4247
FAX: 800-640-2252
FAX: 800-640-2252



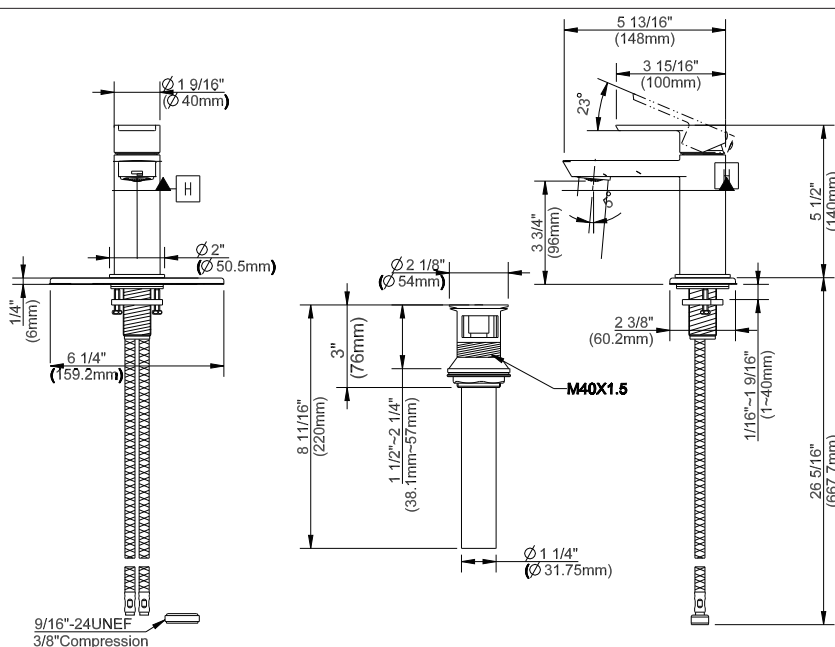
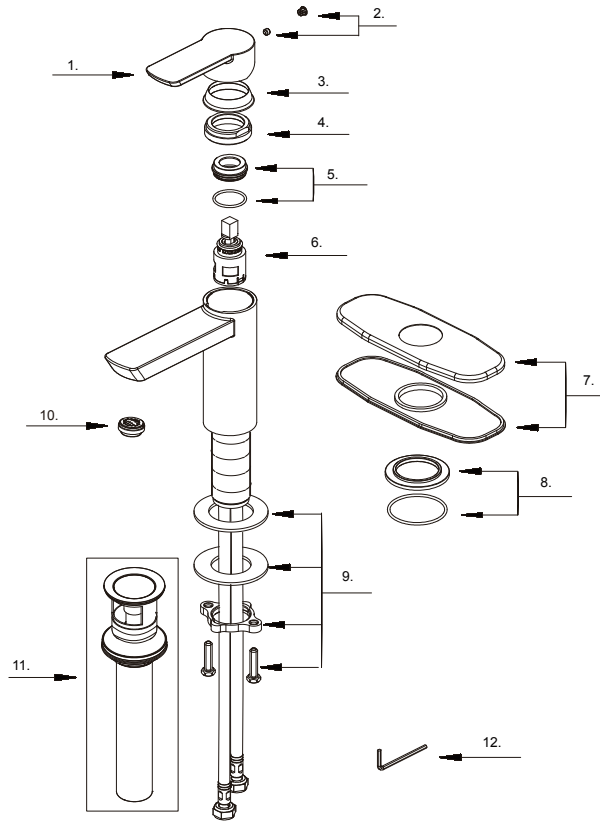
NSF/ANSI 372
NSF/ANSI 61-9



Visit Our Web Site : www.matco-norca.com

Single Handle Lavatory Faucet

No.	Name	Part No.
1	Metal Handle	A069499
2	Screw & Plug	A66D806
3	Trim Cap	A103060
4	Locking Nut	A104075
5	Adaptor Assembly	A66G564W
6	Ceramic Disc Cartridge	A507084N
7	Cover Plate Assembly	A663082-S
8	Base Assembly	A66F607-Z
9	Mounting Hardware	A663221-H
10	Aerator 1.2gpm	A553055N
11	50/50 Push Pop-up	A505219-P
12	Wrench (H2.5 * 19 mm L * 53mmL)	A031000NI



Product Spec Sheet

CALIFORNIA: **TEL: 866-532-8306**
TEXAS: **TEL: 800-935-5456**
NEW YORK: **TEL: 800-431-2082**
ILLINOIS: **TEL: 844-412-5068**

FAX: 866-532-8307
FAX: 800-683-4247
FAX: 800-640-2252
FAX: 800-640-2252

Visit Our Web Site : www.matco-norca.com