

□ **PD-400C**

□ **PD-400BN**



## **Two Handle Lavatory Faucet**



# **Product Spec Sheet**

### **FEATURES & BENEFITS**

- This Product Contains Less Than 0.25% Weighted Average Lead Content On Wetted Surfaces
- Metal Lever Handles
- Ceramic Cartridges
- Brass Pop-up
- Max Flow Rate 1.2 GPM (4.5 L/MIN) At 60 PSI (ASME A112.18.1M/A112.18.1)

PD-400C  
Chrome Finish

PD-400BN  
Brushed Nickel Finish

#### **APPROVALS:**

**Meets or Exceeds The Following:**

- \* ANSI/ASME A112.18.1M/A112.18.1
- \* NSF/ANSI 61 - Sec. 9
- \* NSF/ANSI 372
- \* IAPMO/cUPC
- \* CA AB1953



NSF/ANSI 372  
NSF/ANSI 61-9



**CALIFORNIA:**  
**TEXAS:**  
**NEW YORK:**

**TEL: 866-532-8306**  
**TEL: 800-935-5456**  
**TEL: 800-431-2082**

**FAX: 866-532-8307**  
**FAX: 800-683-4247**  
**FAX: 800-640-2252**

Visit Our Web Site : [www.matco-norca.com](http://www.matco-norca.com)

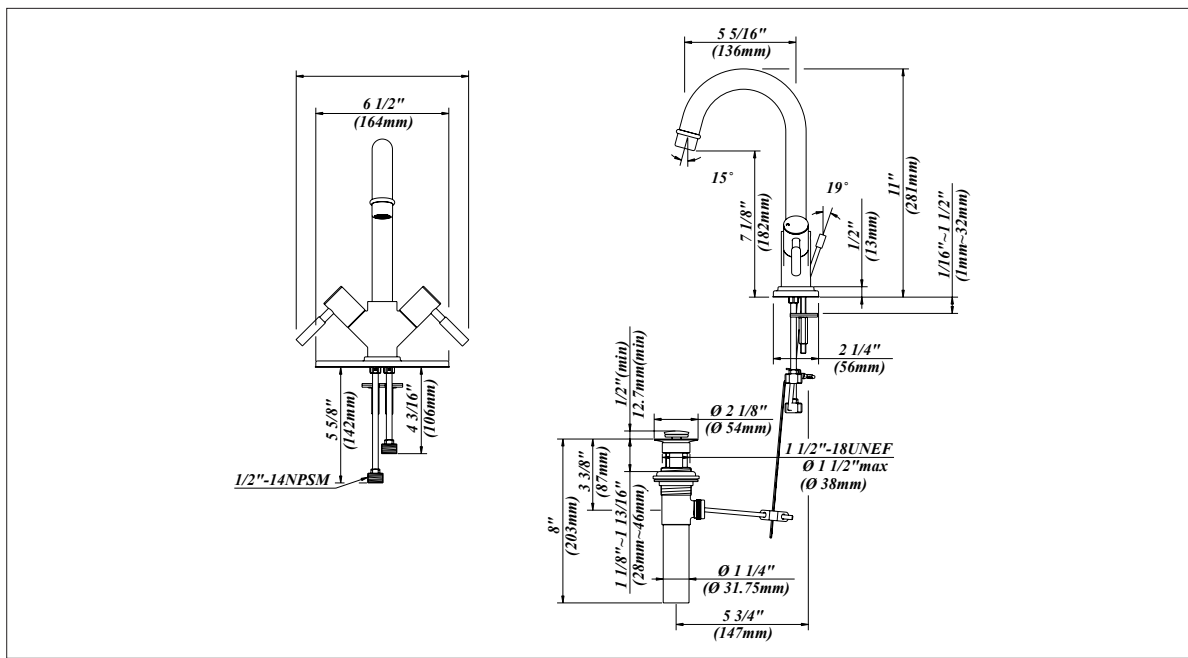
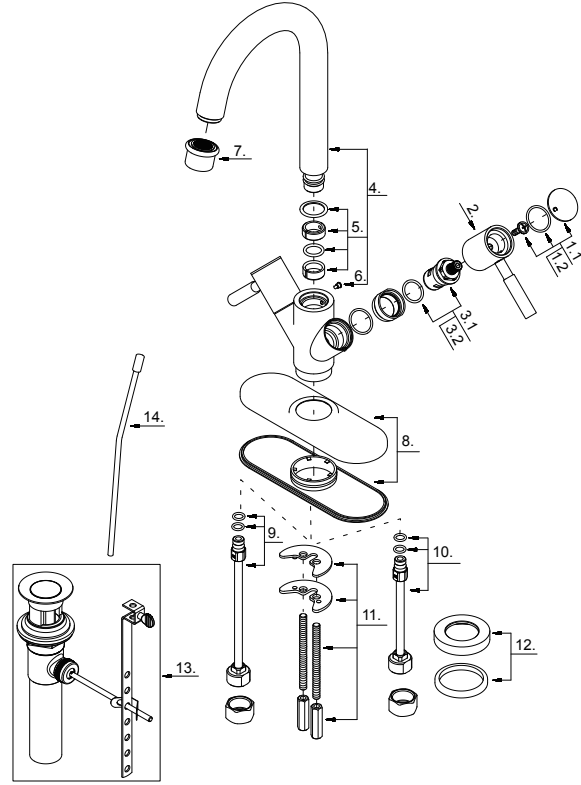
**PD-400C**

**PD-400BN**



# Two Handle Lavatory Faucet

No.	Name	Part No.
1.1	Index Button-Cold	A603979C
1.2	Index Button-Hot	A603979H
2	Metal Handle	A602594
3.1	Ceramic Disc Cartridge-Cold	A66G034W
3.2	Ceramic Disc Cartridge-Hot	A66G035W
4	Spout Assembly	A666130N
5	Spout Seal Kit	A603980N
6	Screw (M4 * 7 mm L)	A008217
7	Aerator	A500263N-64
8	Cover Plate & Putty Plate	A66F093-S
9	Supply Pipe-Hot	A664194W
10	Supply Pipe-Cold	A664008W
11	Mounting Hardware Assembly	A663800
12	Base Trim Ring	A667335
13	Pop-up Assembly	A556200
14	Lift Rod	A025362



**Product Spec Sheet**

**CALIFORNIA:**  
**TEXAS:**  
**NEW YORK:**

**TEL: 866-532-8306**  
**TEL: 800-935-5456**  
**TEL: 800-431-2082**

**FAX: 866-532-8307**  
**FAX: 800-683-4247**  
**FAX: 800-640-2252**

Visit Our Web Site : [www.matco-norca.com](http://www.matco-norca.com)