

□ **PD-240C**

□ **PD-240SS**



## **Two Handle Widespread Kitchen Faucet**

# **Product Spec Sheet**



### **FEATURES & BENEFITS**

- This Product Contains Less Than 0.25% Weighted Average Lead Content On Wetted Surfaces
- Metal Lever Handles
- Ceramic Cartridges
- With Side Spray
- Max Flow Rate 1.5 GPM (5.7 L/MIN) At 60 PSI (ASME A112.18.1M/A112.18.1)

PD-240C  
Chrome Finish

PD-240SS  
Stainless Steel Finish

#### **APPROVALS:**

**Meets or Exceeds The Following:**

- \* ANSI/ASME A112.18.1M/A112.18.1
- \* NSF/ANSI 61 - Sec. 9
- \* NSF/ANSI 372
- \* IAPMO/cUPC
- \* CA AB1953



NSF/ANSI 372  
NSF/ANSI 61-9



**CALIFORNIA:**  
**TEXAS:**  
**NEW YORK:**

**TEL: 866-532-8306**  
**TEL: 800-935-5456**  
**TEL: 800-431-2082**

**FAX: 866-532-8307**  
**FAX: 800-683-4247**  
**FAX: 800-640-2252**

Visit Our Web Site : [www.matco-norca.com](http://www.matco-norca.com)

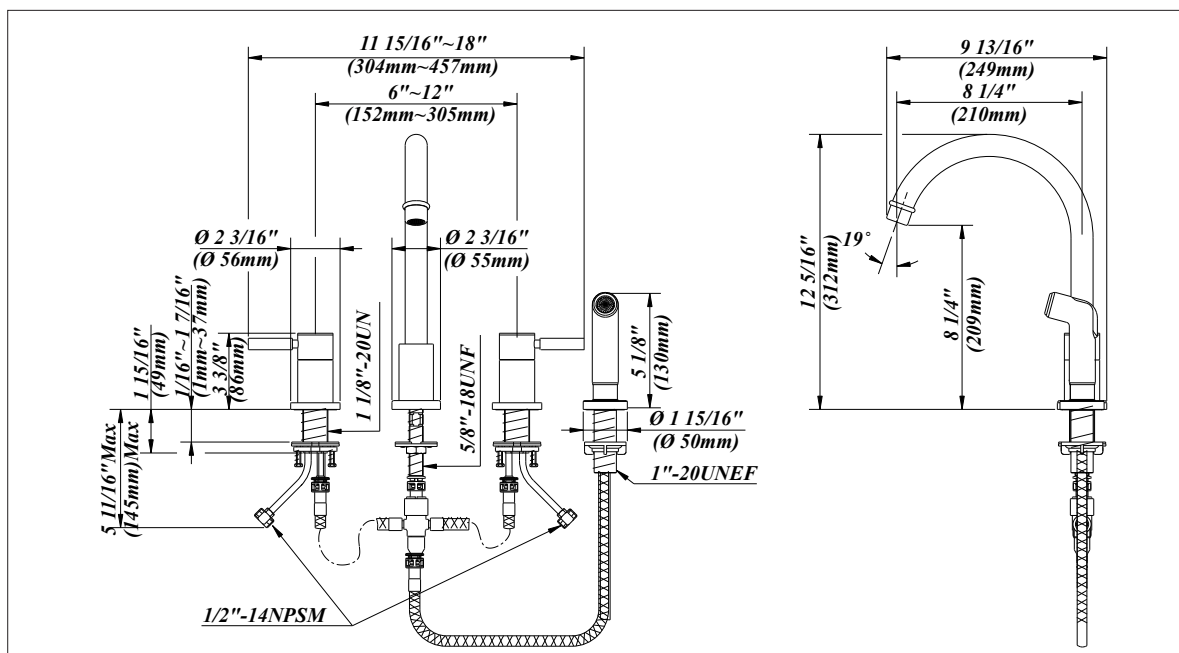
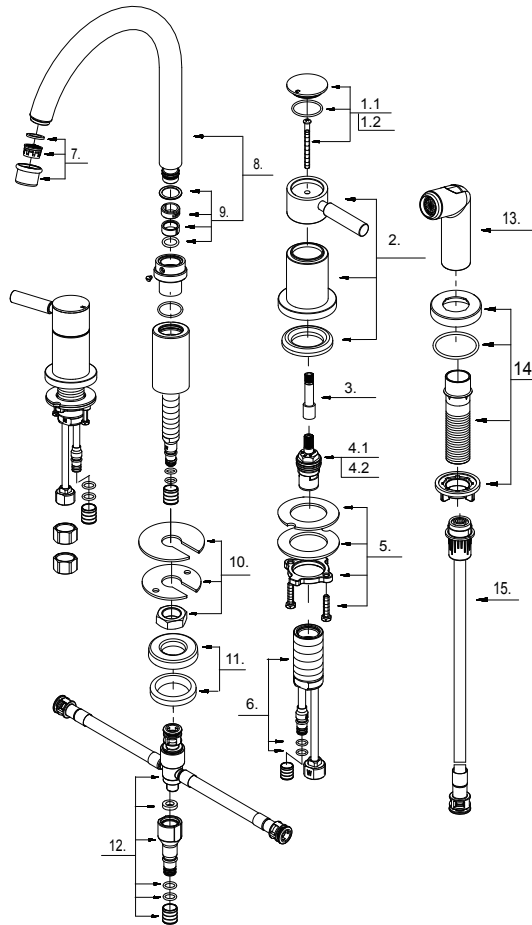
□ **PD-240C**

□ **PD-240SS**



# Two Handle Widespread Kitchen Faucet

No.	Name	Part No.
1.1	Index Button-Cold	A66D893C
1.2	Index Button-Hot	A66D893H
2	Metal Handle Assembly	A662506
3	Stem Extension	A110343
4.1	Ceramic Disc Cartridge-Cold	A507376W
4.2	Ceramic Disc Cartridge-Hot	A507375W
5	Mounting Hardware Assembly	A66D900
6	Handle Valve Body	A661481W
7	Aerator	A500023N-51
8	Spout Assembly	A666068N
9	Spout Seal Kit	A603980N
10	Mounting Hardware	A66D301
11	Spout Trim Ring	A66F129
12	Supply Hose	A664233N
13	Side Spray	A503002N
14	Spray Holder Assembly (3-15/16" L)	A664262
15	Supply Hose	A512139N



**Product Spec Sheet**

CALIFORNIA:  
TEXAS:  
NEW YORK:

TEL: 866-532-8306  
TEL: 800-935-5456  
TEL: 800-431-2082

FAX: 866-532-8307  
FAX: 800-683-4247  
FAX: 800-640-2252

Visit Our Web Site : [www.matco-norca.com](http://www.matco-norca.com)