

- PA-900C**
- PA-900BN**
- PA-900ORB**
- PA-900CJP**
- PA-900BNJP**
- PA-900ORBJP**



Two Handle Roman Tub Faucet



Product Spec Sheet

FEATURES & BENEFITS

- Metal Lever Handles
- Ceramic Cartridges
- Min Flow Rate 4.0 GPM (15.1 L/MIN) at 20 PSI (ASME A112.18.1)

APPROVALS:

Meets or Exceeds The Following:

- * ANSI/ASME A112.18.1
- * IAPMO/cUPC

PA-900C
Chrome Finish

PA-900BN
Brushed Nickel Finish

PA-900ORB
Oil Rubbed Bronze Finish

PA-900CJP
Trim Kit For Roman Tub
Chrome Finish

PA-900BNJP
Trim Kit For Roman Tub
Brushed Nickel Finish

PA-900ORBJP
Trim Kit For Roman Tub
Oil Rubbed Bronze Finish



CALIFORNIA:
TEXAS:
NEW YORK:

TEL: 866-532-8306
TEL: 800-935-5456
TEL: 800-431-2082

FAX: 866-532-8307
FAX: 800-683-4247
FAX: 800-640-2252

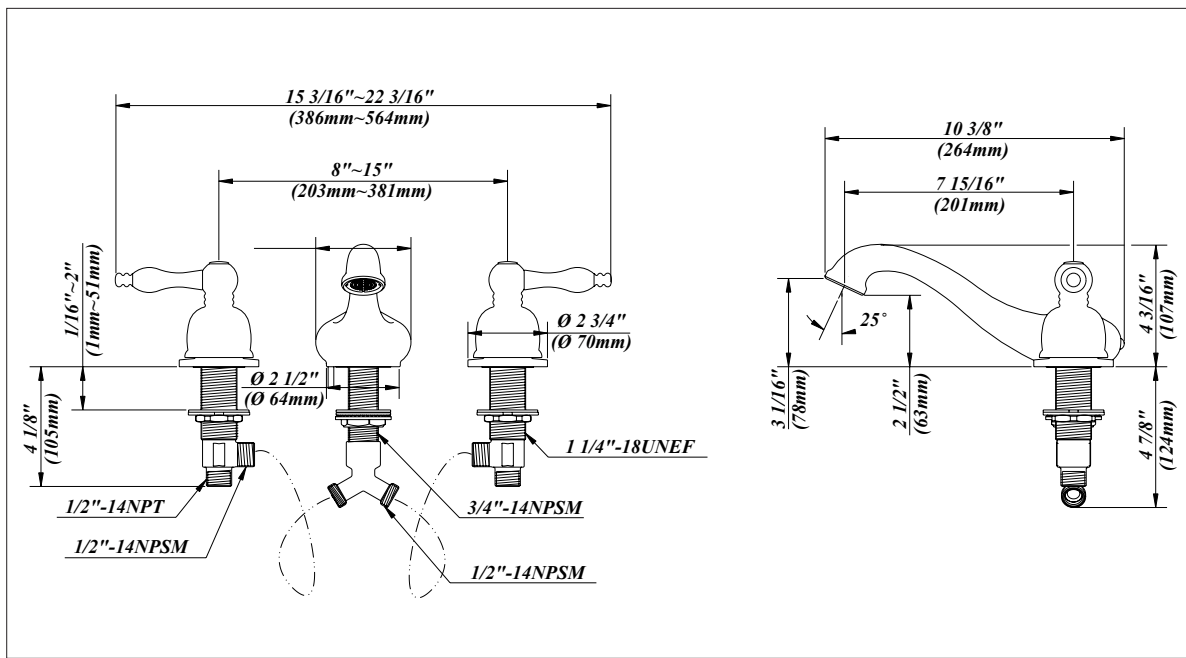
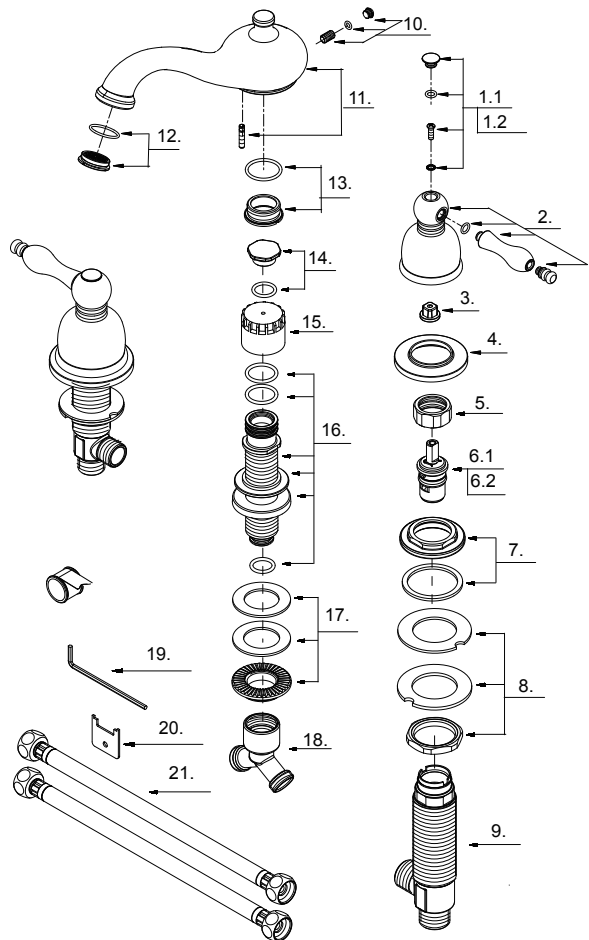
Visit Our Web Site : www.matco-norca.com

- PA-900C**
- PA-900BN**
- PA-900RB**
- PA-900CJP**
- PA-900BNJP**
- PA-900RBJP**



Two Handle Roman Tub Faucet

No.	Name	Part No.
1.1	Index Button-Cold	A66G170C
1.2	Index Button-Hot	A66G170H
2	Metal Handle Assembly	A66E688
3	Handle Adapter	A110214
4	Handle Trim Ring	A071281
5	Retainer Nut	A016259
6.1	Ceramic Disc Cartridge-Cold	A507102N
6.2	Ceramic Disc Cartridge-Hot	A507101N
7	Lock Nut	A66D928
8	Mounting Hardware	A66D626
9	Handle Valve Body	A002570
10	Spout Trim Cap	A603288
11	Spout Set	A666883
12	Flow Straightener	A603646
13	Spout Adaptor	A66G169
14	Spout Plug	A603046
15	Spout Rough In Cap	A045153
16	Spout Body	A66D929
17	Mounting Hardware	A663491
18	"Y" Adaptor	A015224
19	Hex Wrench	(H4 * 20 mm L * 70 mm L) A031011NI
20	Flow Straightener Wrench	A031214NI
21	Supply Hose	A105051



Product Spec Sheet

CALIFORNIA:
TEXAS:
NEW YORK:

TEL: 866-532-8306
TEL: 800-935-5456
TEL: 800-431-2082

FAX: 866-532-8307
FAX: 800-683-4247
FAX: 800-640-2252

Visit Our Web Site : www.matco-norca.com