

PA-730C
 PA-720C
 PA-730CJP
 PA-720CJP

PA-730BN
 PA-720BN
 PA-730BNJP
 PA-720BNJP

PA-730ORB
 PA-720ORB
 PA-730ORBJP
 PA-720ORBJP



Single Handle Tub & Shower Faucet

Product Spec Sheet



FEATURES & BENEFITS

- Metal Lever Handle
- Washerless Pressure Balancing Valve
- Slip Fit Diverter Spout
- Max Flow Rate 2.0 GPM (7.6 L/MIN) At 80 PSI (ASME A112.18.1M/A112.18.1)

APPROVALS:

Meets or Exceeds The Following:

- * ANSI/ASME A112.18.1M/A112.18.1
- * IAPMO/cUPC

PA-730C
Tub & Shower Faucet
Chrome Finish

PA-730CJP
Trim Kit For Tub & Shower Faucet
Chrome Finish

PA-730BN
Tub & Shower Faucet
Brushed Nickel Finish

PA-730BNJP
Trim Kit For Tub & Shower Faucet
Brushed Nickel Finish

PA-730ORB
Tub & Shower Faucet
Oil Rubbed Bronze Finish

PA-730ORBJP
Trim Kit For Tub & Shower Faucet
Oil Rubbed Bronze Finish

PA-720C
Shower Only Faucet
Chrome Finish

PA-720CJP
Trim Kit For Shower Only Faucet
Chrome Finish

PA-720BN
Shower Only Faucet
Brushed Nickel Finish

PA-720BNJP
Trim Kit For Shower Only Faucet
Brushed Nickel Finish

PA-720ORB
Shower Only Faucet
Oil Rubbed Bronze Finish

PA-720ORBJP
Trim Kit For Shower Only Faucet
Oil Rubbed Bronze Finish



* WaterSense Only On Models Containing Showerheads

CALIFORNIA:
TEXAS:
NEW YORK:

TEL: 866-532-8306
TEL: 800-935-5456
TEL: 800-431-2082

FAX: 866-532-8307
FAX: 800-683-4247
FAX: 800-640-2252

Visit Our Web Site : www.matco-norca.com

- PA-730C
- PA-720C
- PA-730CJP
- PA-720CJP

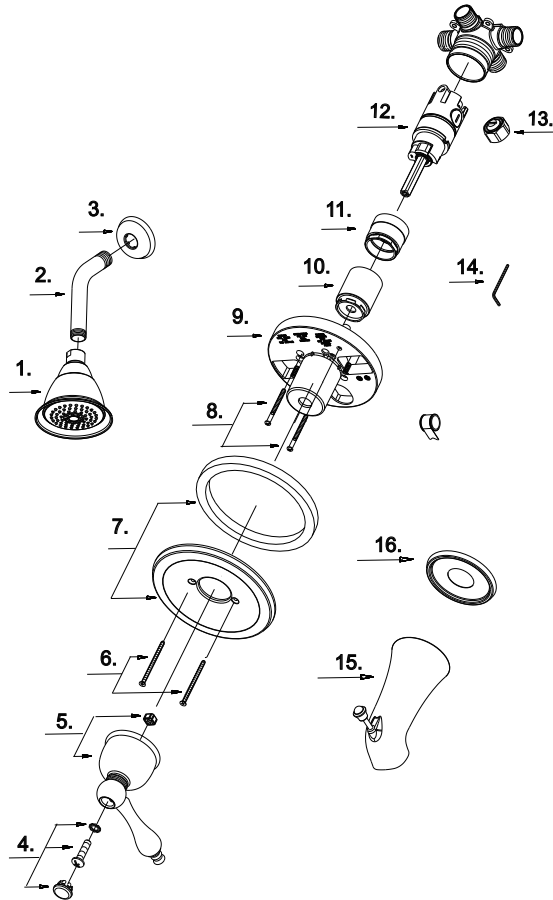
- PA-730BN
- PA-720BN
- PA-730BNJP
- PA-720BNJP

- PA-730ORB
- PA-720ORB
- PA-730ORBJP
- PA-720ORBJP

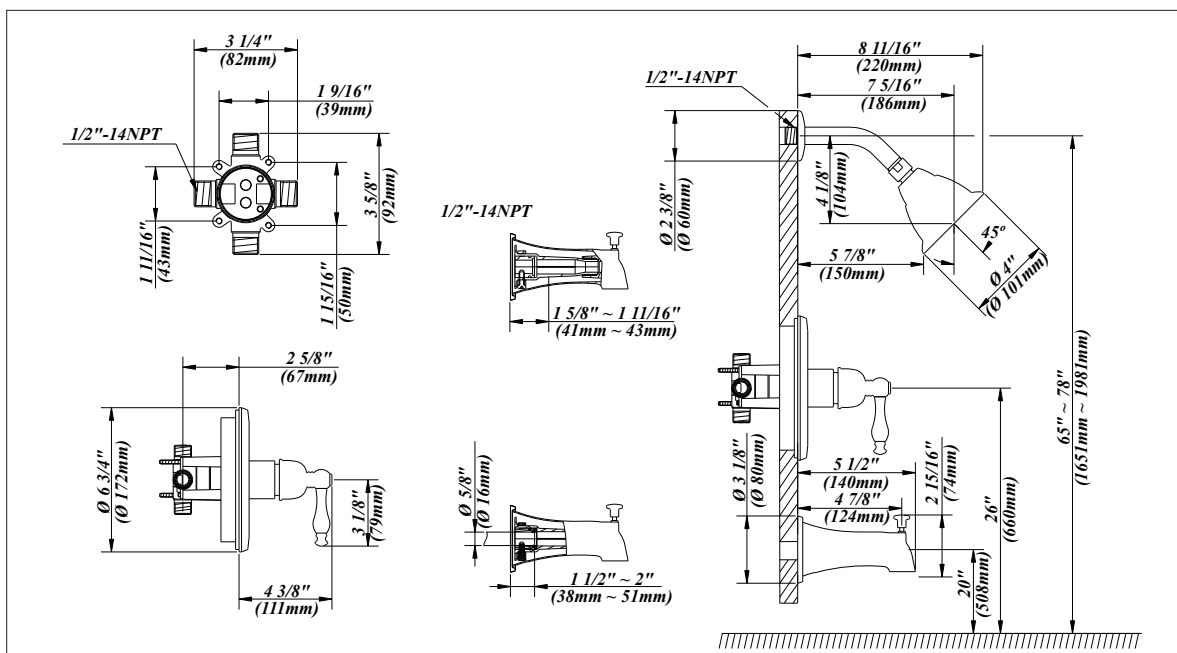


Single Handle Tub & Shower Faucet

No.	Name	Part No.
1	Shower Head	S1214407
2	Shower Arm	A020002
3	Shower Arm Flange	A019001
4	Handle Cap	A66D681
5	Metal Handle Assembly	A66E293
6	Screw Set (3/16" -24 * 5" L)	A608226
7	Escutcheon Assembly	A667915
8	Screw Set (3/16" -24 * 2-3/16" L)	A608519
9	Plaster Guard	A127007
10	Sleeve	A103322
11	Retainer Nut	A103310
12	Washerless Cartridge Assembly	A507975
13	Plug	A028452
14	Hex Wrench (H3.18 *20 mm L * 90 mm L)	A031017NI
15	Spout W/Diverter	A666226
16	Spout Escutcheon	A303028



Product Spec Sheet



CALIFORNIA:
TEXAS:
NEW YORK:

TEL: 866-532-8306
TEL: 800-935-5456
TEL: 800-431-2082

FAX: 866-532-8307
FAX: 800-683-4247
FAX: 800-640-2252

Visit Our Web Site : www.matco-norca.com