

PA-300C
 PA-300ORB

PA-300SS



Single Handle Bar Faucet



Product Spec Sheet

FEATURES & BENEFITS

- This Product Contains Less Than 0.25% Weighted Average Lead Content On Wetted Surfaces
- Metal Lever Handle
- Ceramic Cartridge
- Max Flow Rate 1.5 GPM (5.7 L/MIN) At 60 PSI (ASME A112.18.1M/A112.18.1)

PA-300C
Chrome Finish

PA-300SS
Stainless Steel Finish

PA-300ORB
Oil Rubbed Bronze Finish

APPROVALS:

Meets or Exceeds The Following:

- * ANSI/ASME A112.18.1M/A112.18.1
- * NSF/ANSI 61 - Sec. 9
- * NSF/ANSI 372
- * IAPMO/cUPC
- * CA AB1953



NSF/ANSI 372
NSF/ANSI 61-9



CALIFORNIA:
TEXAS:
NEW YORK:

TEL: 866-532-8306
TEL: 800-935-5456
TEL: 800-431-2082

FAX: 866-532-8307
FAX: 800-683-4247
FAX: 800-640-2252

Visit Our Web Site : www.matco-norca.com

PA-300C

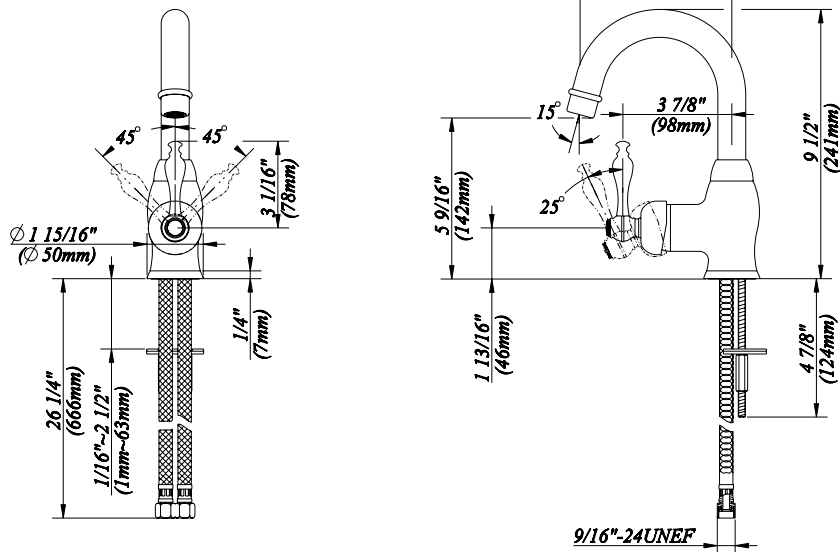
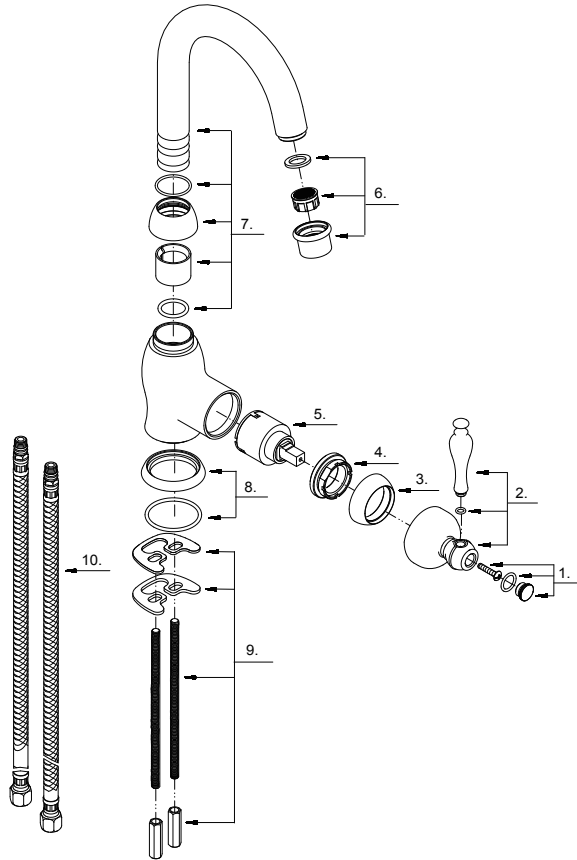
PA-300SS



PA-3000RB

Single Handle Bar Faucet

No.	Name	Part No.
1	Handle Cap	A66D686
2	Metal Handle Assembly	A662485-50
3	Trim Cap	A103016
4	Locking Nut	A104002
5	Ceramic Disc Cartridge	A507348N-32
6	Aerator	A500023N-50
7	Spout Set	A666183N
8	Spout Trim Ring	A667649
9	Mounting Hardware	A66D067
10	Supply Hose	A105131W



Product Spec Sheet

CALIFORNIA:
TEXAS:
NEW YORK:

TEL: 866-532-8306
TEL: 800-935-5456
TEL: 800-431-2082

FAX: 866-532-8307
FAX: 800-683-4247
FAX: 800-640-2252

Visit Our Web Site : www.matco-norca.com