

**PA-240C**  
 **PA-240ORB**

**PA-240SS**



## 8" Two Handle Kitchen Faucet



### FEATURES & BENEFITS

- This Product Contains Less Than 0.25% Weighted Average Lead Content On Wetted Surfaces
- Metal Lever Handles
- Ceramic Cartridges
- With Side Spray
- Max Flow Rate 1.5 GPM (5.7 L/MIN) At 60 PSI (ASME A112.18.1M/A112.18.1)

PA-240C  
Chrome Finish

PA-240SS  
Stainless Steel Finish

PA-240ORB  
Oil Rubbed Bronze Finish

### APPROVALS:

Meets or Exceeds The Following:

- \* ANSI/ASME A112.18.1M/A112.18.1
- \* NSF/ANSI 61 - Sec. 9
- \* NSF/ANSI 372
- \* IAPMO/cUPC
- \* CA AB1953



NSF/ANSI 372  
NSF/ANSI 61-9



**CALIFORNIA:**  
**TEXAS:**  
**NEW YORK:**

**TEL: 866-532-8306**  
**TEL: 800-935-5456**  
**TEL: 800-431-2082**

**FAX: 866-532-8307**  
**FAX: 800-683-4247**  
**FAX: 800-640-2252**

Visit Our Web Site : [www.matco-norca.com](http://www.matco-norca.com)

**Product Spec Sheet**

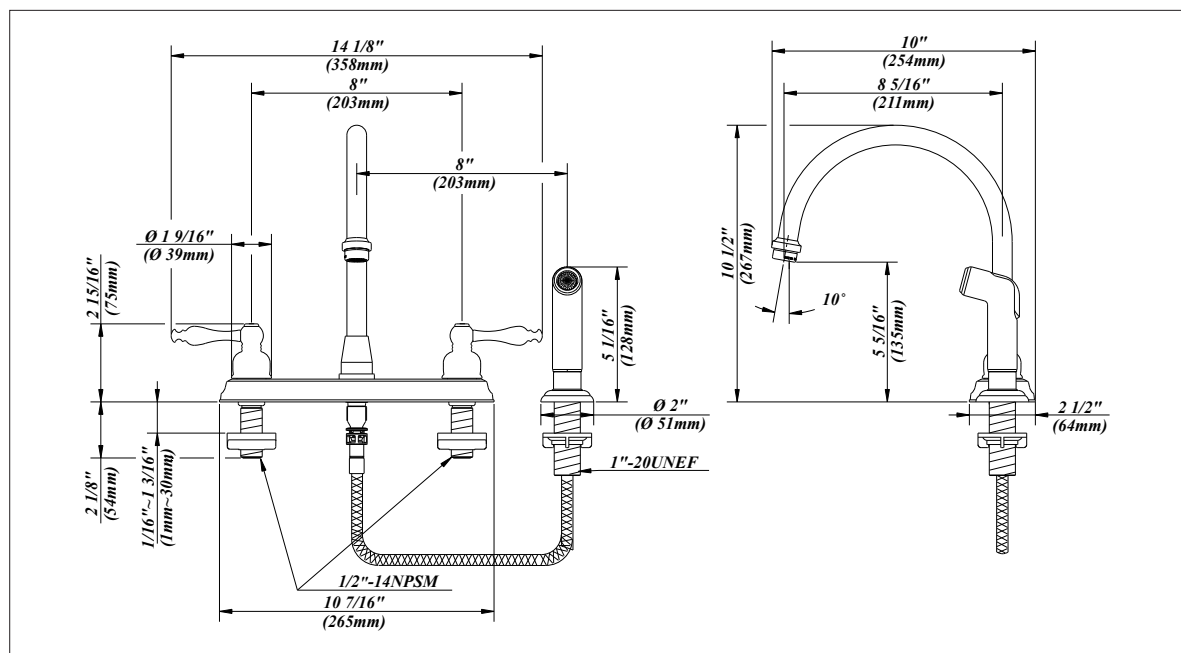
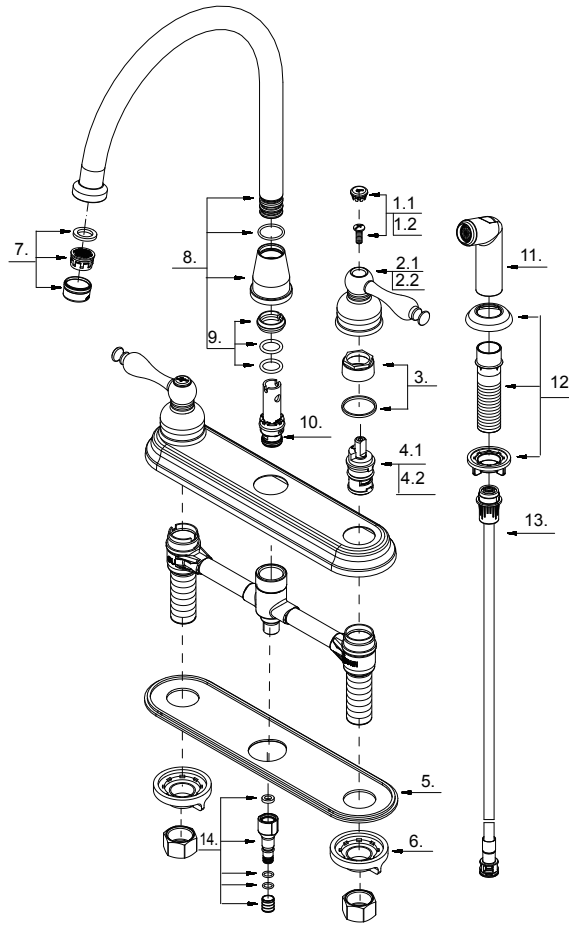
**PA-240C**  
 **PA-240ORB**

**PA-240SS**



# 8" Two Handle Kitchen Faucet

No.	Name	Part No.
1.1	Index Button-Cold	A66D622C
1.2	Index Button-Hot	A66D622H
2.1	Metal Handle Assembly-Cold	A662292C
2.2	Metal Handle Assembly-Hot	A662292H
3	Retainer Nut & Washer	A663629
4.1	Ceramic Disc Cartridge-Cold	A507104N
4.2	Ceramic Disc Cartridge-Hot	A507103N
5	Putty Plate	A011003
6	Lock Nut Set	A504023
7	Aerator	A500872N-51
8	Spout Assembly	A666125N
9	Spout Seal Kit	A663044N
10	Spray Diverter w/Vacuum Breaker	A66G391
11	Side Spray	A503002N
12	Spray Holder Assembly (2-1/2" L)	A220008
13	Spray Hose	A512139N
14	Sealing Kit	A66G352N



**Product Spec Sheet**

**CALIFORNIA:**  
**TEXAS:**  
**NEW YORK:**

**TEL: 866-532-8306**  
**TEL: 800-935-5456**  
**TEL: 800-431-2082**

**FAX: 866-532-8307**  
**FAX: 800-683-4247**  
**FAX: 800-640-2252**

Visit Our Web Site : [www.matco-norca.com](http://www.matco-norca.com)