

DWV P Trap • Spec Sheet



FEATURES & BENEFITS

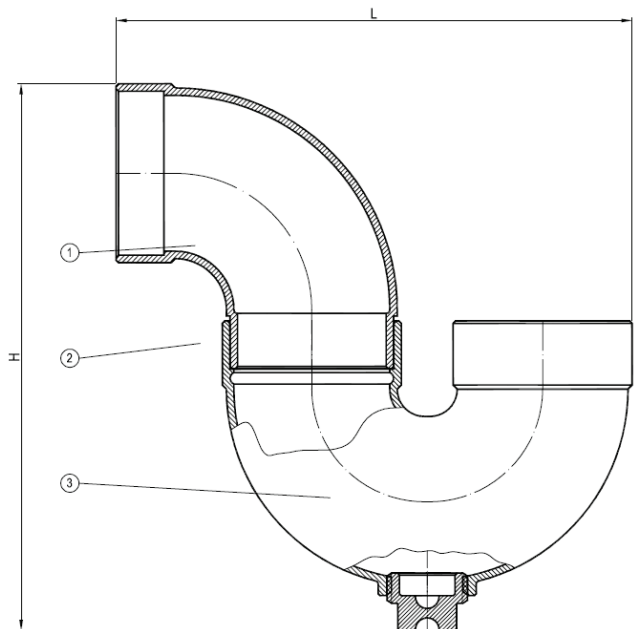
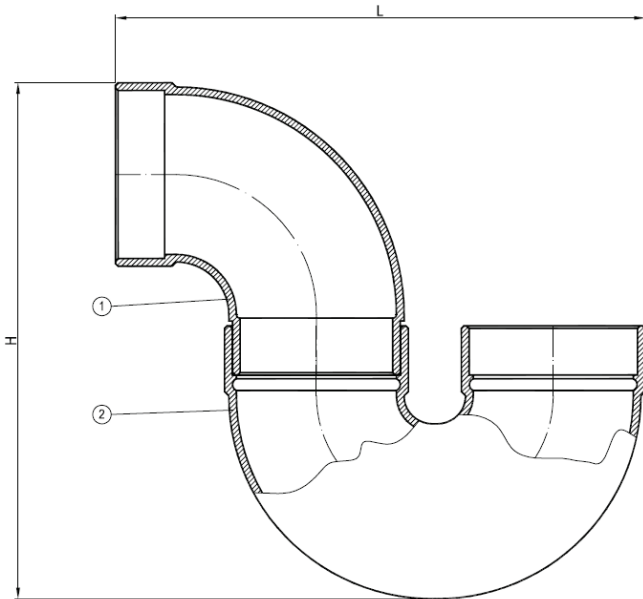
- DWV P Trap
- C x C
- Brass

MATERIAL SPECIFICATIONS

| No. | Part | Material |
|-----|--------|-------------------|
| 1 | Body 2 | Brass B584 C85710 |
| 2 | Body 1 | Brass B584 C85710 |
| 3 | Nipple | Brass B584 C85710 |

DIMENSIONS

| Part # | Size | H | L |
|----------|----------------------------------|------|------|
| PTRAP07L | 1-1/2" Less Cleanout | 5.12 | 5.12 |
| PTRAP07W | 1-1/2" With Cleanout & 3/4" Plug | 5.65 | 5.12 |
| PTRAP08L | 2" Less Cleanout | 6.54 | 6.71 |
| PTRAP08W | 2" With Cleanout & 3/4" Plug | 7.10 | 6.71 |



MATCO-NORCA
Global sourcing. National compliance. Local service.

CALIFORNIA 5593 Fresca Dr., La Palma CA 90623 • Toll Free: 866-532-8306 • Fax: 866-532-8307
TEXAS 1150 Silber Rd., Houston TX 77055 • Toll Free: 800-935-5456 • Fax: 713-680-2999
NEW YORK PO Box 27, Rt. 22, Brewster NY 10509 • Toll Free: 800-431-2082 • Fax: 845-278-9056
 WEB: www.matco-norca.com EMAIL: mail@matco-norca.com