

# OTV Oil Tank Valve • Spec Sheet

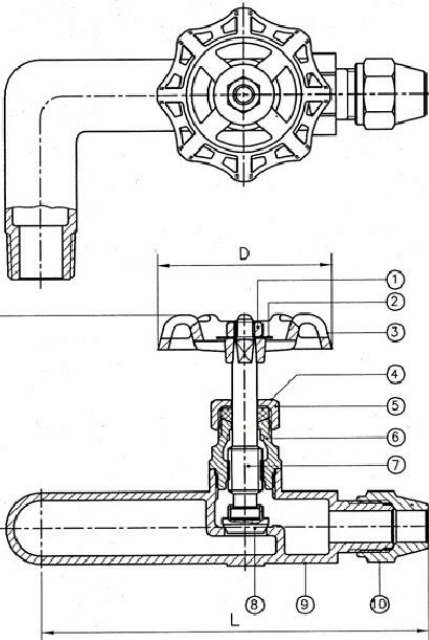


## FEATURES & BENEFITS

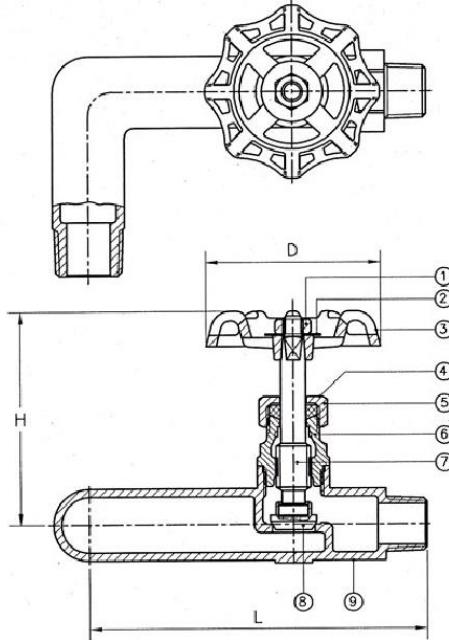
- ISO-9002
- MIP x MIP or MIP x OD Flare
- Temperature Rating 250°F
- 125 PSI
- Brass-Hard Seat
- Brass Body
- Sizes 1/2" x 3/8"

## DIMENSIONS

Part #	Size	D	H	L
OTV-100	1/2" MIP x 3/8" MIP	2.09	2.62	4.04
OTV-200	1/2" MIP x 3/8" OD Flare	2.09	2.62	4.65



OTV-200



OTV-100

## MATERIAL SPECIFICATIONS

No.	Part	Material
1	Wheel Nut	Hot Rolled SAE 1010R
2	Name Plate	Aluminum A1100
3	Handwheel	Cast Iron
4	Packing Nut	Brass Rod C37700
5	Gland Packing	PTFE
6	Bonnet	Cast Brass C85700
7	Stem	Brass Rod C37700
8	Disc	Brass Rod C37700
9	Body	Cast Brass C85700
10	Flare	Brass Rod C37700



Global sourcing. National compliance. Local service.

**CALIFORNIA** 5593 Fresca Dr., La Palma CA 90623  
**TEXAS** 1150 Silber Rd., Houston TX 77055  
**ILLINOIS** 278 Windy Point Dr., Glendale Heights, IL 60139  
**NEW YORK** PO Box 27, Rt.22, Brewster NY 10509  
 WEB: [www.matco-norca.com](http://www.matco-norca.com)

• Phone: 866-532-8306 • Fax: 866-532-8307  
 • Phone: 800-935-5456 • Fax: 713-680-2999  
 • Phone: 844-412-5068 • Fax: 800-640-2252  
 • Phone: 800-431-2082 • Fax: 845-278-9056  
 EMAIL: [mail@matco-norca.com](mailto:mail@matco-norca.com)