

NM-300 & NM-310 Non Metallic Kitchen Faucet • Spec Sheet



FEATURES & BENEFITS

NM-300

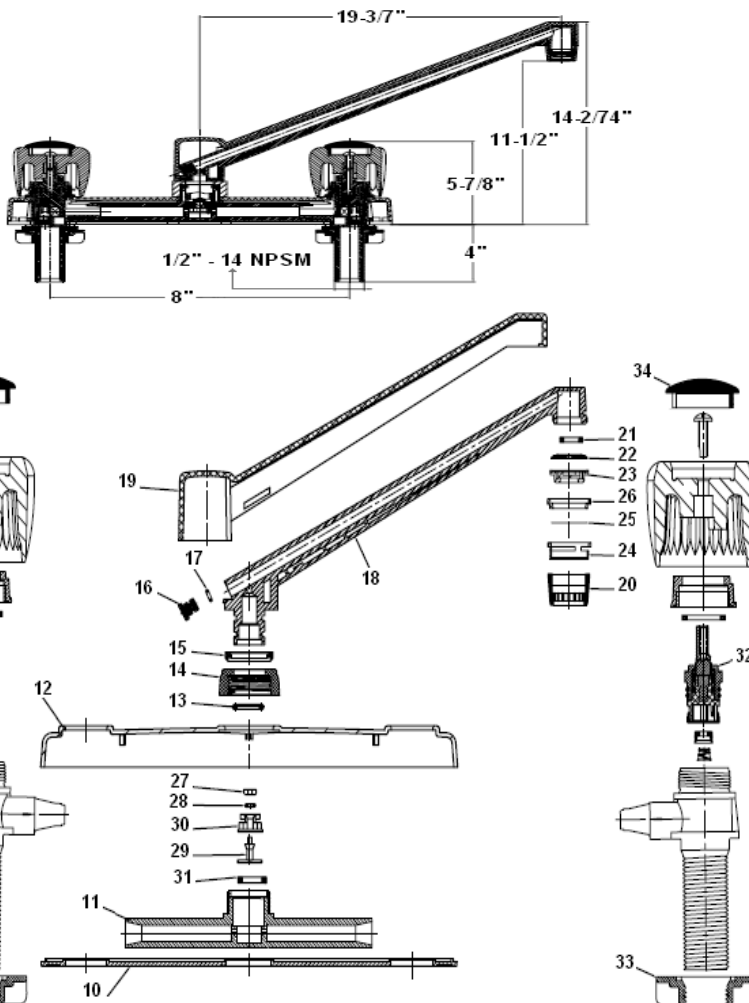
- Non- Metallic Kitchen Faucet
- 8" Center Set
- Two Acrylic Handles
- UPC Approved

NM-310

- Same As Above With Spray

MATERIAL SPECIFICATIONS

No.	Part	Material
1	Inlet	Plastic
2	Seat	EPDM
3	Spring	Stainless Steel
4 & 32	Cartridge	Plastic
5	Washer	Plastic
6	Nut	Poly Propylene
7	Handle	Acrylic
8	Screw	Stainless Steel
9 & 34	Cold Cap / Hot Cap	Acrylic
10	Gasket	Poly Propylene
11	Water Way	Plastic
12	Body Cap	ABS
13 & 17	O-Ring	BUNA
14	Nut	ABS
15	Clip	Plastic
16	Plug	ABS
18	Water Way	ABS
19	Water Way Cap	ABS
20	Outlet	ABS
21 & 31	Washer	EPDM
22	Compensator	Plastic
23	Filter	Plastic
24	Double Filter Net	Plastic
25	Net	Stainless Steel
26	Single Filter Net	Plastic
27	Seat	Brass
28	O-Ring	EPDM
29	Diverter Central Column	Plastic
30	Diverter Body	Plastic
33	Locknut	ABS



MATCO-NORCA
 Global sourcing. National compliance. Local service.

CALIFORNIA 5593 Fresca Dr., La Palma CA 90623 • Toll Free: 866-532-8306 • Fax: 866-532-8307
TEXAS 1150 Silber Rd., Houston TX 77055 • Toll Free: 800-935-5456 • Fax: 713-680-2999
NEW YORK PO Box 27, Rt. 22, Brewster NY 10509 • Toll Free: 800-431-2082 • Fax: 845-278-9056
 WEB: www.matco-norca.com EMAIL: mail@matco-norca.com

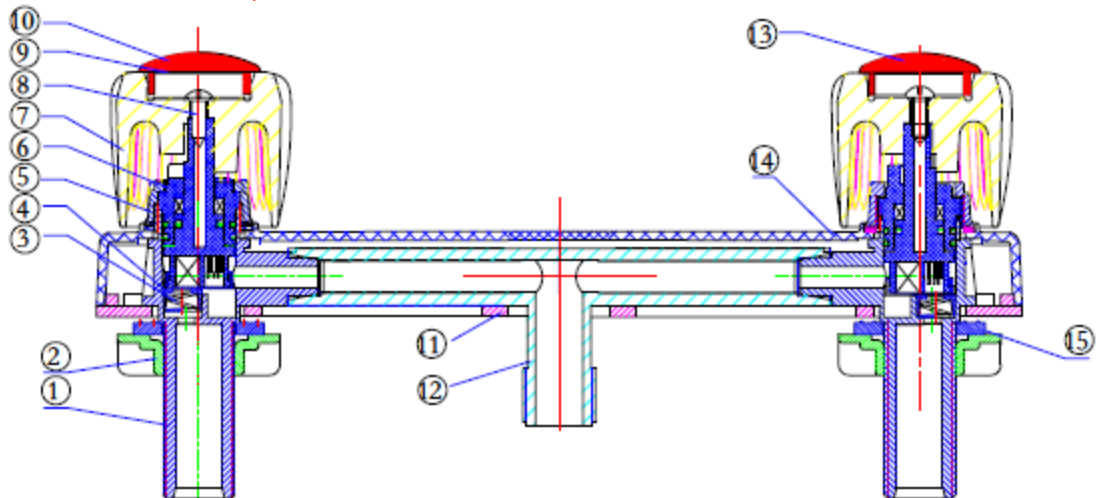
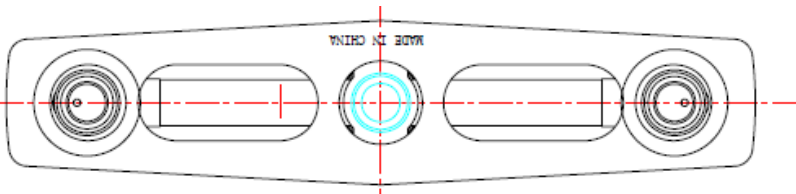
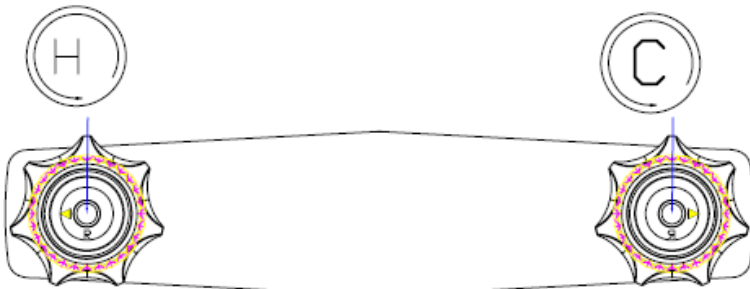
NM-600SC Shower Valve • Spec Sheet

FEATURES & BENEFITS

- Mobile Home - Non Metallic Faucets
- Acrylic Handles
- Shower Valve Only
- UPC Approved
- Chrome

MATERIAL SPECIFICATIONS

No.	Part	Material
1	Fill Tube	POM (M90)
2	Mounting Nut	ABS / BLACK
3	Spring	SS304
4	Washer	EPDM
5	Cartridge	
6	PE Washer	HDPE
7	Nut	PP+30%GF
8	Big V Handle	PMMA
9	Screw	SS302
10	Hold Index Button	
11	Gasket	PP1040
12	Cross Tee	NBR
13	Cold Index Button	POM (M90)
14	Body	ABS
15	Washer	NBR / Black



MATCO-NORCA
Global sourcing. National compliance. Local service.

CALIFORNIA 5593 Fresca Dr., La Palma CA 90623 • Toll Free: 866-532-8306 • Fax: 866-532-8307
TEXAS 1150 Silber Rd., Houston TX 77055 • Toll Free: 800-935-5456 • Fax: 713-680-2999
NEW YORK PO Box 27, Rt. 22, Brewster NY 10509 • Toll Free: 800-431-2082 • Fax: 845-278-9056
 WEB: www.matco-norca.com EMAIL: mail@matco-norca.com

NM-990 Non-Metallic Bar Faucet • Spec Sheet



FEATURES & BENEFITS

- Polished Chrome Plated Finish
- 8" Chrome Plated Brass Spout
- Acrylic Handles
- Fits 4" Centers
- Chrome Plated Aerators - Brass / Plastic
- 2.5 GPM Flow Rate @ 40 PSI
- 1/2" - 14 NPS Inlets
- IAMPO & UPC Approved



 **MATCO-NORCA**
Global sourcing. National compliance. Local service.

CALIFORNIA 5593 Fresca Dr., La Palma CA 90623 • Toll Free: 866-532-8306 • Fax: 866-532-8307
TEXAS 1150 Silber Rd., Houston TX 77055 • Toll Free: 800-935-5456 • Fax: 713-680-2999
NEW YORK PO Box 27, Rt. 22, Brewster NY 10509 • Toll Free: 800-431-2082 • Fax: 845-278-9056
WEB: www.matco-norca.com EMAIL: mail@matco-norca.com