

□ **LV-705CJP**

**MATCO  
NORCA**

## **Single Handle Valve Only Trim Kit**



### **FEATURES & BENEFITS**

- Metal Lever Handle
- Metal Escutcheon

LV-705CJP  
Chrome Finish

### **Approvals:**

Meets or Exceeds The Following:

- \* ANSI/ASME A112.18.1/A112.18.1
- \* IAPMO/cUPC
- \* ADA Compliant

**Product Spec Sheet**



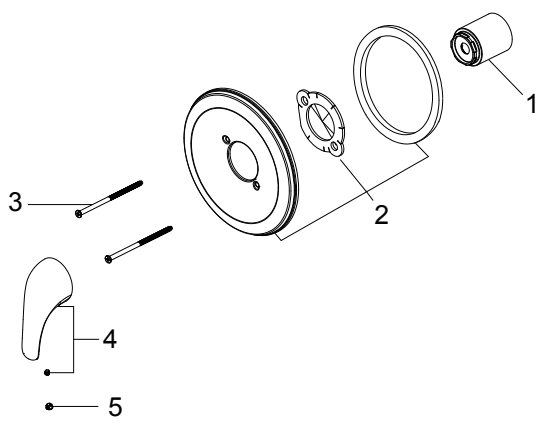
**TEL:** 800-431-2082

**FAX:** 800-640-2252

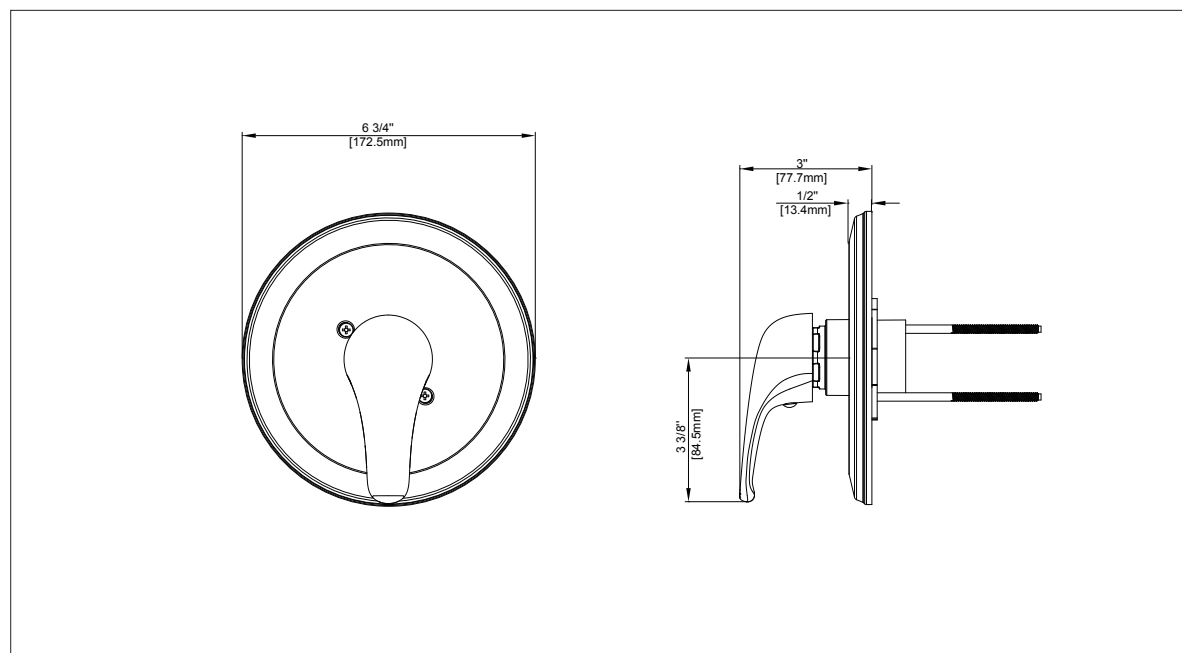
Visit Our Web Site : [www.matco-norca.com](http://www.matco-norca.com)

# Single Handle Valve Only Trim Kit

No.	Name	Part No.
1	Sleeve / Funda	RP80624*
2	Escutcheon / Placa protectora	RP80610*
3	Escutcheon screw / Tornillo de la placa protectora	RP50190*
4	Handle / Llave	RP13770*
5	Index / Índice	RP10042



\* Specify Finish  
\* Especifique el Acabado



**Product Spec Sheet**