

# IBHTLF Brass Hydrant Adapter Tee • Spec Sheet



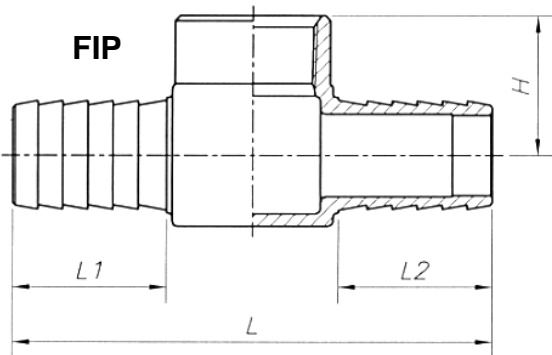
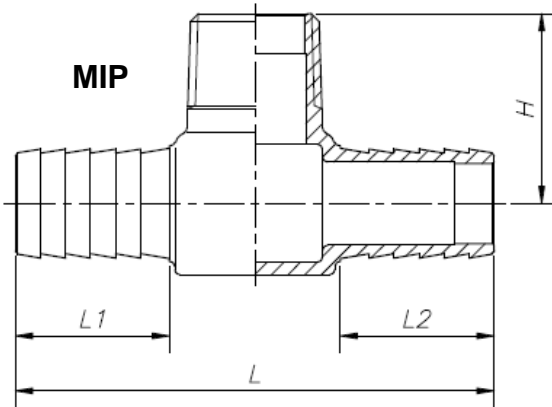
\*Product will have LF imprinted on the body for Lead Free

## FEATURES & BENEFITS

- Lead Free Brass\*
- Insert x Male Adapter
- Insert x Female Adapter
- Sizes 3/4" – 1-1/4"

## MATERIAL SPECIFICATIONS

Part	Material
Body	Brass C46400



## DIMENSIONS

Part	Size	Barb	H	L	L1	L2
IBHT04LF	3/4" MIP	5	1.49	3.77	1.21	1.21
IBHT05LF	1" MIP	4	1.61	3.74	1.01	1.01
IBHT0504FLF	1" x 3/4" FIP	6	1.04	4.19	1.41	1.41
IBHT0504LF	1" x 3/4" MIP	6	1.60	4.11	1.41	1.41
IBHT0505FLF	1" x 1" FIP	5	1.30	4.35	1.21	1.21
IBHT06LF	1-1/4" MIP	7	1.69	5.09	1.60	1.60
IBHT0604LF	1-1/4" x 3/4" MIP	7	1.54	4.47	1.60	1.60



\*This product complies with 0.25% weighted average lead content on wetted surfaces in accordance with the Safe Drinking Water Act (SDWA) / Federal Public Law No. 111-380.

Global sourcing. National compliance. Local service.

**CALIFORNIA** 5593 Fresca Dr., La Palma CA 90623 • Toll Free: 866-532-8306 • Fax: 866-532-8307  
**TEXAS** 1150 Silber Rd., Houston TX 77055 • Toll Free: 800-935-5456 • Fax: 713-680-2999  
**NEW YORK** PO Box 27, Rt. 22, Brewster NY 10509 • Toll Free: 800-431-2082 • Fax: 845-278-9056  
 WEB: [www.matco-norca.com](http://www.matco-norca.com) EMAIL: [mail@matco-norca.com](mailto:mail@matco-norca.com)