

# HYDLF Fire Hydrant Adapter • Spec Sheet

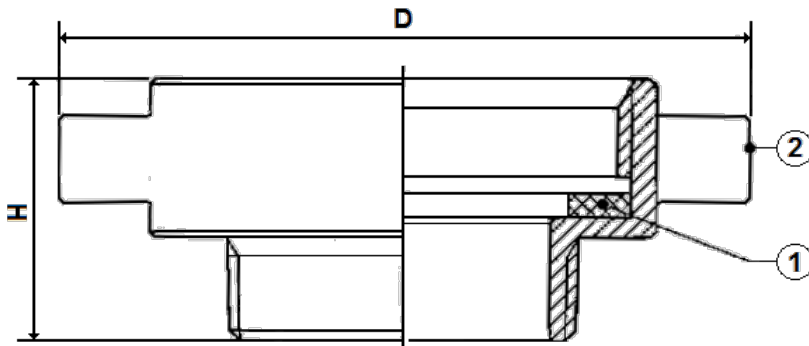


## FEATURES & BENEFITS

- Lead Free Brass\*
- Temperature Rating 180° F
- Pressure Rating CWP 300 PSI

## MATERIAL SPECIFICATIONS

No.	Part	Material
1	Packing	Rubber (NBR) SN-919F
2	Reducing Adaptor	Cast Brass C46400



## DIMENSIONS

Part #	Size	D	H
HYDF-0704GLF	1-1/2" FNST x 3/4" Hose Thread	3.21	1.42
HYDF-0904GLF	2-1/2" FNST x 3/4" Hose Thread	4.71	1.69
HYDF-0904MLF	2-1/2" FNST x 3/4" MIP	4.71	1.69
HYDF-0905MLF	2-1/2" FNST x 1" MIP	4.71	1.69
HYDF-0907MLF	2-1/2" FNST x 1-1/2" MIP	4.71	1.69
HYDF-0908MLF	2-1/2" FNST x 2" MIP	4.71	1.79

FNST: Female National Standard Thread  
MIP: Male Iron Pipe Thread

\*This product complies with 0.25% weighted average lead content on wetted surfaces in accordance with the Safe Drinking Water Act (SDWA) / Federal Public Law No. 111-380.



**CALIFORNIA** 5595 Fresca Dr., La Palma CA 90623

**TEXAS** 1150 Silber Rd., Houston TX 77055

**ILLINOIS** 278 Windy Point Dr., Glendale Heights, IL 60139

**NEW YORK** PO Box 27, Rt.22, Brewster NY 10509

WEB: [www.matco-norca.com](http://www.matco-norca.com)

• Phone: 866-532-8306 • Fax: 866-532-8307

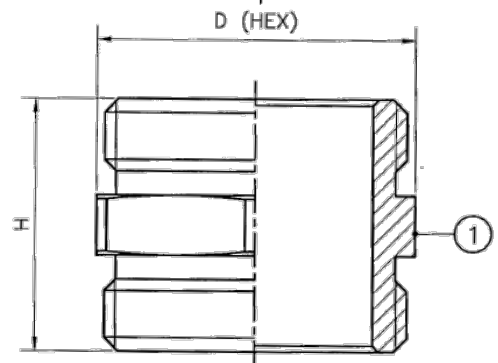
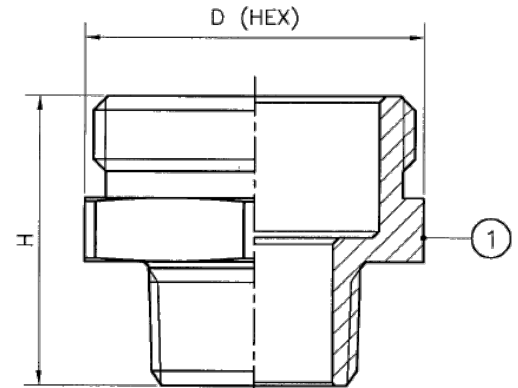
• Phone: 800-935-5456 • Fax: 713-680-2999

• Phone: 844-412-5068 • Fax: 800-640-2252

• Phone: 800-431-2082 • Fax: 845-278-9056

EMAIL: [mail@matco-norca.com](mailto:mail@matco-norca.com)

# HYDMLF Double Male Adapter • Spec Sheet



## MATERIAL SPECIFICATIONS

No.	Part	Material
1	Reducing Adaptor	Cast Brass C46400

## DIMENSIONS

Part #	Size	D	H
HYDM-0505MLF	1" MNST x 1" MIP	1.50	1.73
HYDM-0707MLF	1-1/2" MNST x 1-1/2" MIP	2.09	1.84
HYDM-0908MLF	2-1/2" MNST x 2" MIP	3.19	2.31
HYDM-0909HLF	2-1/2" MNST x 2-1/2" MNST	3.19	2.55
HYDM-0909MLF	2-1/2" MNST x 2-1/2" MIP	3.19	2.42
HYDM-0910MLF	2-1/2" MNST x 3" MIP	3.59	2.30

MNST: Male National Standard Thread  
MIP: Male Iron Pipe Thread

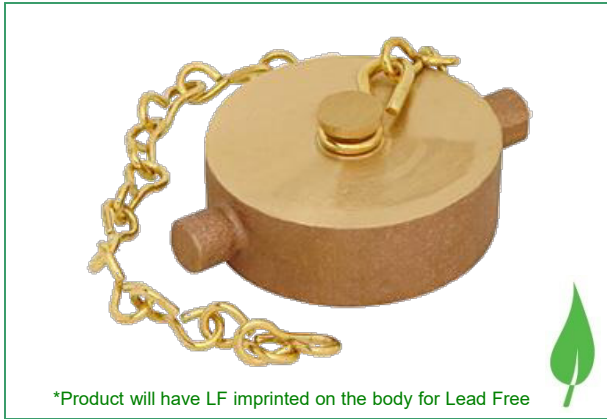
\*This product complies with 0.25% weighted average lead content on wetted surfaces in accordance with the Safe Drinking Water Act (SDWA) / Federal Public Law No. 111-380.



**CALIFORNIA** 5595 Fresca Dr., La Palma CA 90623  
**TEXAS** 1150 Silber Rd., Houston TX 77055  
**ILLINOIS** 278 Windy Point Dr., Glendale Heights, IL 60139  
**NEW YORK** PO Box 27, Rt.22, Brewster NY 10509  
 WEB: [www.matco-norca.com](http://www.matco-norca.com)

• Phone: 866-532-8306 • Fax: 866-532-8307  
 • Phone: 800-935-5456 • Fax: 713-680-2999  
 • Phone: 844-412-5068 • Fax: 800-640-2252  
 • Phone: 800-431-2082 • Fax: 845-278-9056  
 EMAIL: [mail@matco-norca.com](mailto:mail@matco-norca.com)

# HYDLF Fire Hydrant Cap • Spec Sheet

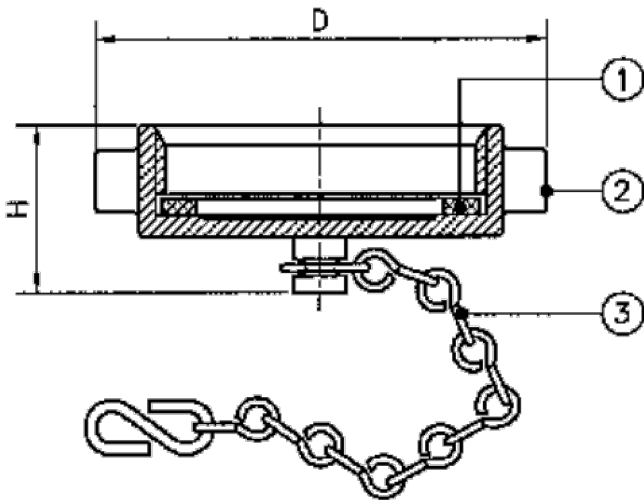


## FEATURES & BENEFITS

- Lead Free Brass\*
- Temperature Rating 180° F
- Pressure Rating CWP 300 PSI

## MATERIAL SPECIFICATIONS

No.	Part	Material
1	Packing	Rubber (NBR) SN-919F
2	Cap	Cast Brass C46400
3	Chain	Forged Brass C26000



## DIMENSIONS

Part #	Size	D	H
HYDC-07LF	1-1/2" FNST Cap With Chain	3.21	1.10
HYDC-09LF	2-1/2" FNST Cap With Chain	4.26	1.60

FNST: Female National Standard Thread



\*This product complies with 0.25% weighted average lead content on wetted surfaces in accordance with the Safe Drinking Water Act (SDWA) / Federal Public Law No. 111-380.

**CALIFORNIA** 5595 Fresca Dr., La Palma CA 90623  
**TEXAS** 1150 Silber Rd., Houston TX 77055  
**ILLINOIS** 278 Windy Point Dr., Glendale Heights, IL 60139  
**NEW YORK** PO Box 27, Rt.22, Brewster NY 10509  
 WEB: [www.matco-norca.com](http://www.matco-norca.com)

• Phone: 866-532-8306 • Fax: 866-532-8307  
 • Phone: 800-935-5456 • Fax: 713-680-2999  
 • Phone: 844-412-5068 • Fax: 800-640-2252  
 • Phone: 800-431-2082 • Fax: 845-278-9056  
 EMAIL: [mail@matco-norca.com](mailto:mail@matco-norca.com)

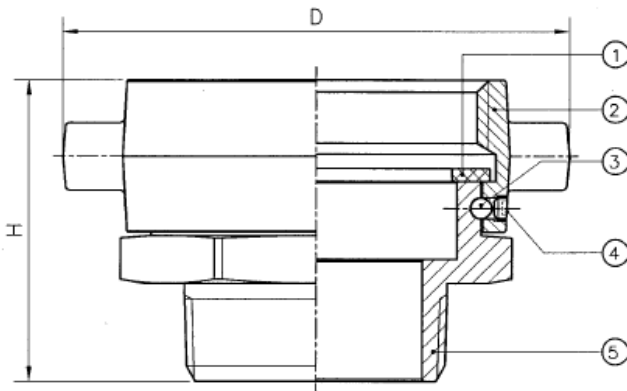
# HYDSLFL Swivel Hydrant Adapter • Spec Sheet



## DIMENSIONS

Part #	Size	D	H
HYDFS-0908MLF	2-1/2" FNST x 2" MIP	4.53	2.72
HYDFS-0910MLF	2-1/2" FNST x 3" MIP	4.53	3.27

FNST: Female National Standard Thread  
MIP: Male Iron Pipe Thread



## MATERIAL SPECIFICATIONS

No.	Part	Material
1	Packing	Rubber (NBR) SN-919F
2	Nut	Cast Brass C85700
3	Ball	Hot Rolled SAE 1010R
4	Borg Bolt	Stainless Steel 304
5	Nipple	Cast Brass C46400

\*This product complies with 0.25% weighted average lead content on wetted surfaces in accordance with the Safe Drinking Water Act (SDWA) / Federal Public Law No. 111-380.



**CALIFORNIA** 5595 Fresca Dr., La Palma CA 90623  
**TEXAS** 1150 Silber Rd., Houston TX 77055  
**ILLINOIS** 278 Windy Point Dr., Glendale Heights, IL 60139  
**NEW YORK** PO Box 27, Rt.22, Brewster NY 10509  
 WEB: [www.matco-norca.com](http://www.matco-norca.com)

• Phone: 866-532-8306 • Fax: 866-532-8307  
 • Phone: 800-935-5456 • Fax: 713-680-2999  
 • Phone: 844-412-5068 • Fax: 800-640-2252  
 • Phone: 800-431-2082 • Fax: 845-278-9056  
 EMAIL: [mail@matco-norca.com](mailto:mail@matco-norca.com)