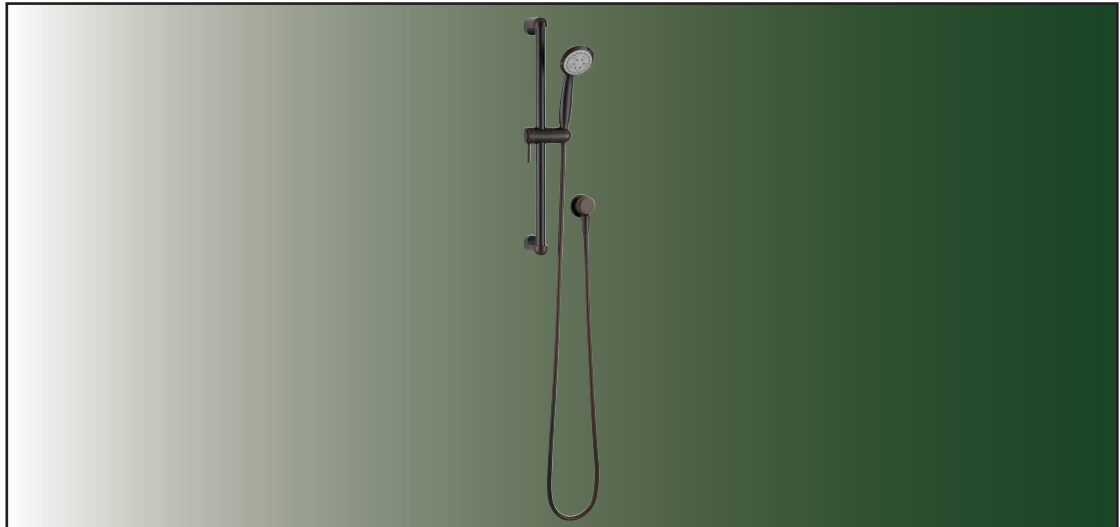


Slide Bar Shower System



FEATURES & BENEFITS

- 3 Setting WaterSense Handheld Shower
- 24" Metal Slide Bar
- 72" Flexible Stainless Steel Hose
- Wall-Mount Hose Connector With Check Valve
- Max Flow Rate 2.0 gpm (7.6 L/min) at 80 psi
- Min Flow Rate 1.5 gpm (5.7 L/min) at 45 psi (ASME A112.18.1M/A112.18.1)

HS-600ORB
Oil Rubbed Bronze Finish

APPROVALS:

Meets or Exceeds The Following:

- * ANSI/ASME A112.18.1M/A112.18.1
- * IAPMO/cUPC



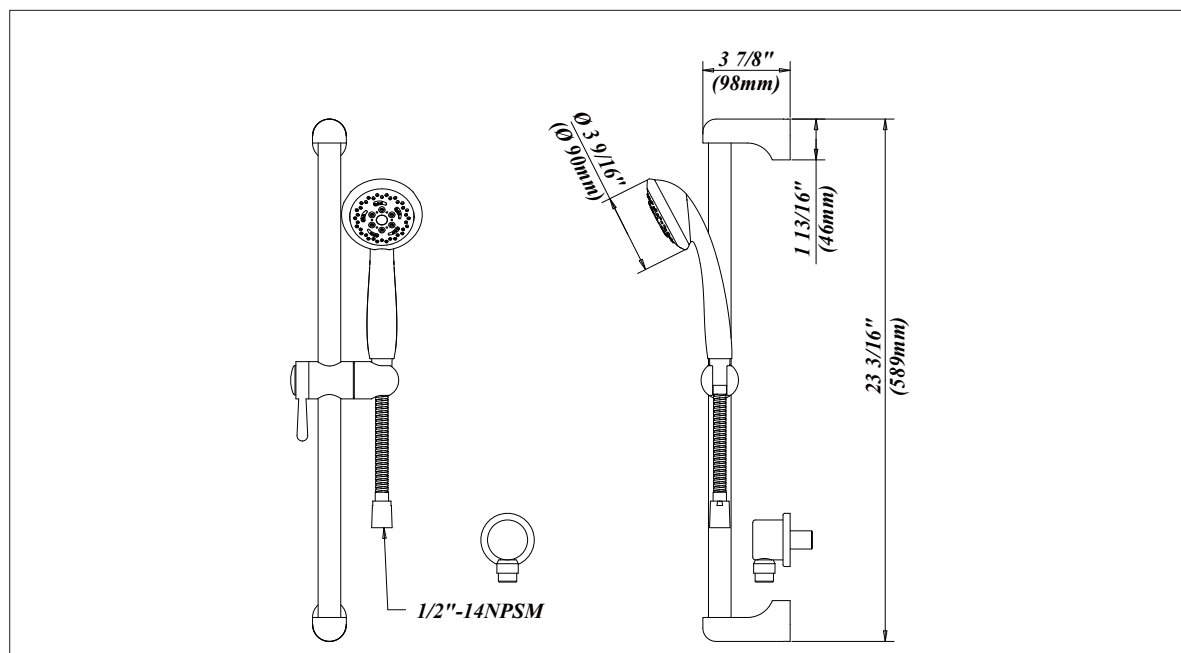
Note: Slide bar is not designed to be used as a grab bar.

| | | |
|--------------------|--------------------------|--------------------------|
| CALIFORNIA: | TEL: 866-532-8306 | FAX: 866-532-8307 |
| TEXAS: | TEL: 800-935-5456 | FAX: 800-683-4247 |
| NEW YORK: | TEL: 800-431-2082 | FAX: 800-640-2252 |

Visit Our Web Site : www.matco-norca.com

Slide Bar Shower System

| No. | Name | Part No. |
|-----|---|-----------|
| 1 | Bracket Assembly | A603982 |
| 2 | Handle Cap | A663453 |
| 3 | Screw (3/16" -24 * 7/16" L) | A008183 |
| 4 | Brass Slide Bar Mount | A112046 |
| 5 | Holding Hardware | A603524 |
| 6 | Screw (M5 * 5 mm L) | A008003 |
| 7 | Slide Bar | A025016 |
| 8 | Shower Hose (72" L) | A105016 |
| 9 | Brass Slide Bar Mount | A112047 |
| 10 | Hex Wrench (H 2.5 * 19 mm L * 53 mm L) | A031000NI |
| 11 | Hand Shower | S2234G12 |
| 12 | Brass Drop Ell | A558988 |
| 13 | Check Valve | A519000N |



Product Spec Sheet