

HAV Steam Air Valves

Spec Sheet

FEATURES & BENEFITS

- Steam Air Valves
- Chrome Plated
- Straight, Angle & Adjustable Options Available
- Size 1/8", 1/4" & 3/4" x 1/2"

Part #	Size
HAVA00	1/8" Angle
HAVADJ00	1/8" Adjustable
HAVS00	1/8" Straight
HAVS01	1/4" Straight
HAVS0403	3/4" x 1/2" Straight



MATERIAL SPECIFICATIONS

No.	Part	Material
1	Vent Body	Brass C26800
2	Float	Brass C26800
3	Float Actuator Base	Brass C51180
4	Base	Brass C26800
5	Vent Base	Brass C37700
6	Flow Guide	Brass C26800
7	Stem	Brass C36000
8	Steam Seat	Brass C36000

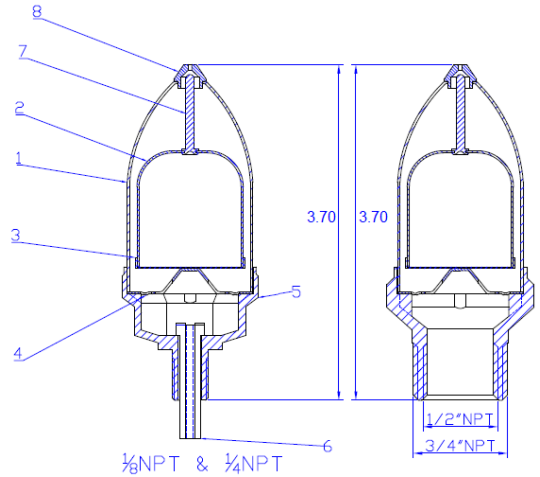
HAVS

Max. Operating Pressure 6 PSI

No.	Part	Material
1	Vent Body	Brass C26800
2	Float	Brass C26800
3	Float Actuator Base	Brass C51180
4	Base	Brass C26800
5	Inlet Adapter	Brass C36000
6	Flow Guide	Brass C26800
7	Stem	Brass C36000
8	Steam Seat	Brass C36000
9	Spring	SS 304

HAVA

Max. Operating Pressure 6 PSI



No.	Part	Material
1	Vent Body	Brass C26800
2	Float	Brass C26800
3	Float Actuator Base	Brass C51180
4	Base	Brass C26800
5	Inlet Adapter	Brass C36000
6	Flow Guide	Brass C26800
7	Stem	Brass C36000
8	Steam Seat	Brass C36000
9	Vent Orifice	Brass C36000
10	Adj Collar	Brass C26800
11	Lock Screw	Brass C36000
12	Spring	SS 304

HAVADJ

Max. Operating Pressure 1-1/2 PSI

