

Flexible Rubber Fittings

Specification Sheet

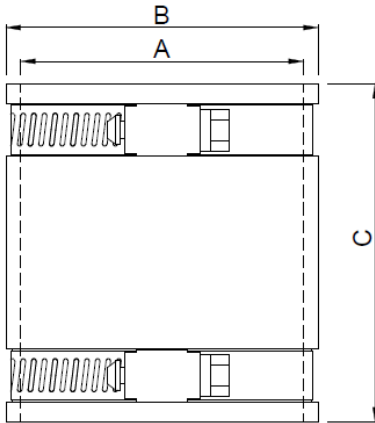
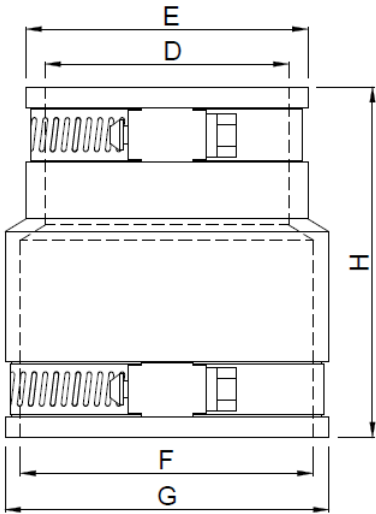
FLEXIBLE RUBBER COUPLING

FEATURES & BENEFITS

- Stainless Steel Bands are corrosion-resistant & rustproof
- Durable Rubber for all Sch. 40 Pipe Applications
- Positive seal against infiltration and exfiltration
- UPC Approved
- Conforms to ASTM C 1173 and CSA B602
- Sizes 1-1/4" - 6" regular & reducing

TECH SPECS

- Installation torque: 60-inch lbs.
- Maximum test pressure: 4.3 PSI
- Maximum operating temperature: 140° F
Non-consistent
- Minimum operating temperature: - 30° F



DIMENSIONS

Part #	Size	D	E	F	G	H
4560706	1-1/2 x 1-1/4	1.63	2.12	1.94	2.43	3.50
4560807	2 x 1-1/2	1.84	2.34	2.41	2.87	3.50
4561007	3 x 1-1/2	1.91	2.49	3.35	3.97	4.00
4561008	3 x 2	2.38	2.94	3.52	4.20	4.00
4561107	4 x 1-1/2	1.91	2.50	4.40	5.05	4.00
4561108	4 x 2	2.35	3.00	4.40	5.02	4.00
4561110	4 x 3	3.52	4.31	4.46	5.17	4.00
4561210	5 x 3	3.50	4.22	5.59	6.29	4.00
4561211	5 x 4	4.46	4.95	5.57	6.28	4.00
4561310	6 x 3	3.50	4.22	6.61	7.39	5.75
4561311	6 x 4	4.46	5.21	6.61	7.39	5.75
4561312	6 x 5	5.54	6.29	6.38	7.11	5.75

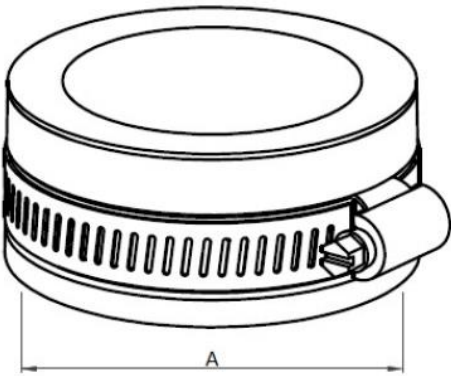
DIMENSIONS

Part #	Size	A	B	C
4560606	1-1/4	1.63	2.09	3.50
4560707	1-1/2	1.94	2.43	3.50
4560808	2	2.41	2.90	3.50
4561010	3	2.99	4.25	4.00
4561111	4	4.58	5.22	4.00
4561212	5	5.52	6.16	4.00
4561313	6	6.60	7.32	6.00

Flexible Rubber Fittings

Specification Sheet

FLEXIBLE RUBBER END CAP



DIMENSIONS

Part #	Pipe Size	A
456007C	1-1/2	1.91
456008C	2	2.36
456010C	3	3.48
456011C	4	4.50
456012C	5	5.58
456013C	6	6.29

MATERIAL SPECIFICATIONS

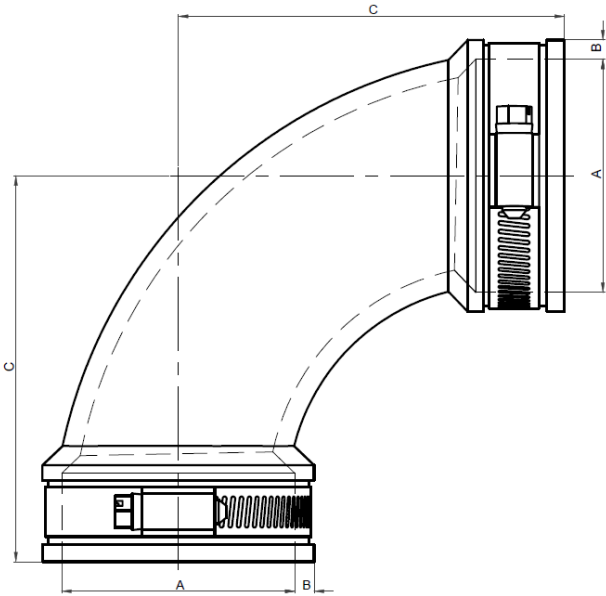
Description	Material
Band	300SS
Housing	300SS
Screw	300SS
Gasket	PVC



Flexible Rubber Fittings

Specification Sheet

FLEXIBLE RUBBER ELBOW



DIMENSIONS

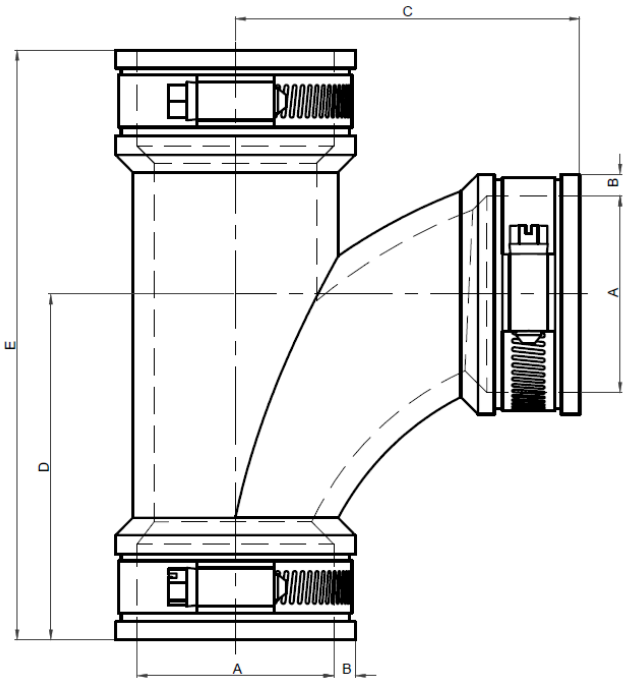
Part #	Pipe Size	A	B	C
456007L	1-1/2	1.91	0.22	0.87
456008L	2	2.36	0.22	0.90
456010L	3	3.48	0.28	1.54
456011L	4	4.50	0.28	1.80



Flexible Rubber Fittings

Specification Sheet

FLEXIBLE RUBBER TEE



DIMENSIONS

Part #	Pipe Size	A	B	C	D	E
456007T	1-1/2	1.91	0.22	3.33	3.35	5.71
456008T	2	2.36	0.22	4.11	4.17	7.00
456010T	3	3.48	0.28	5.71	6.30	10.83
456011T	4	4.50	0.28	7.74	8.27	13.19

