

# FY-951 Pop Up Assembly • Spec Sheet



## Material Specifications

No.	Material
1	Cover
2	Drain Cap
3	O Ring
4	Stem
5	Drain Cap Seat
6	Packing
7	Packing
8	Packing Nut
9	Body
10	Flow Pipe
11	Packing
12	Ball
13	Rod
14	Packing Nut
15	Fixed Plate
16	Adjust Ron
17	Bolt
18	Pull Rod
19	Knob

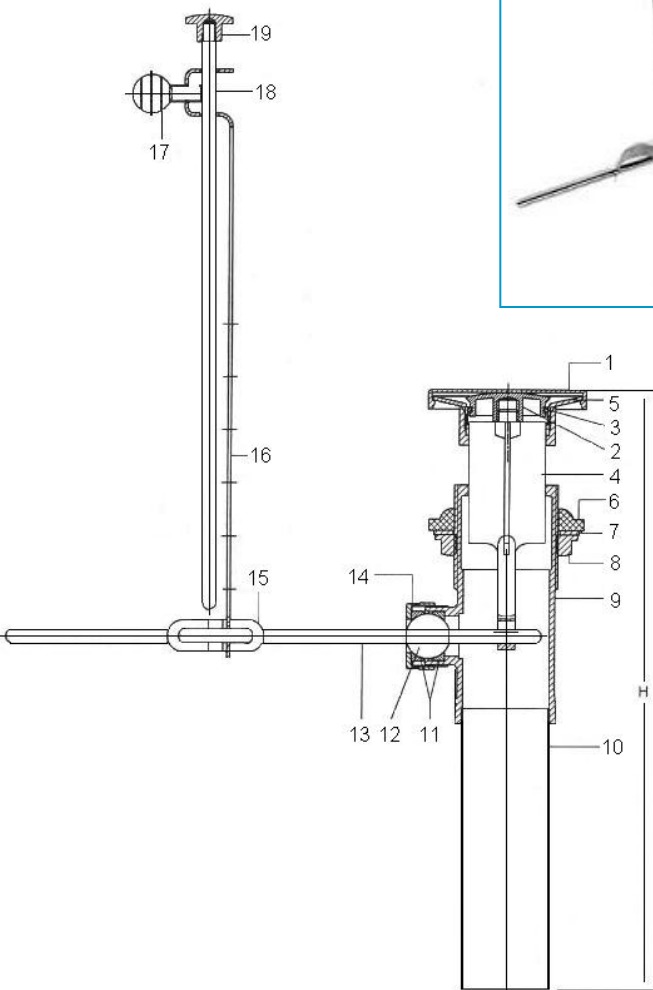
## Features & Benefits

- Chrome Plated Brass
- With Lift Rod
- Available in Brushed Nickel

\*FY-951S – for Brushed Nickel

## Dimensions

Nominal Size	H
PU 1 UPC	8.5"



**MATCO-NORCA**  
Global sourcing. National compliance. Local service.

**NEW YORK**  
**CALIFORNIA**  
**TEXAS**

WEB: [www.matco-norca.com](http://www.matco-norca.com)

PO Box 27, Rt.22, Brewster NY 10509 • Toll Free: 800-431-2082 • Fax: 845-278-9056  
5593 Fresca Dr., La Palma CA 90623 • Toll Free: 866-532-8306 • Fax: 714-522-3828  
1150 Silber Rd., Houston TX 77055 • Toll Free: 800-935-5456 • Fax: 713-680-2999

EMAIL: [mail@matco-norca.com](mailto:mail@matco-norca.com)