

FY-950 Pop-Up Assembly • Spec Sheet

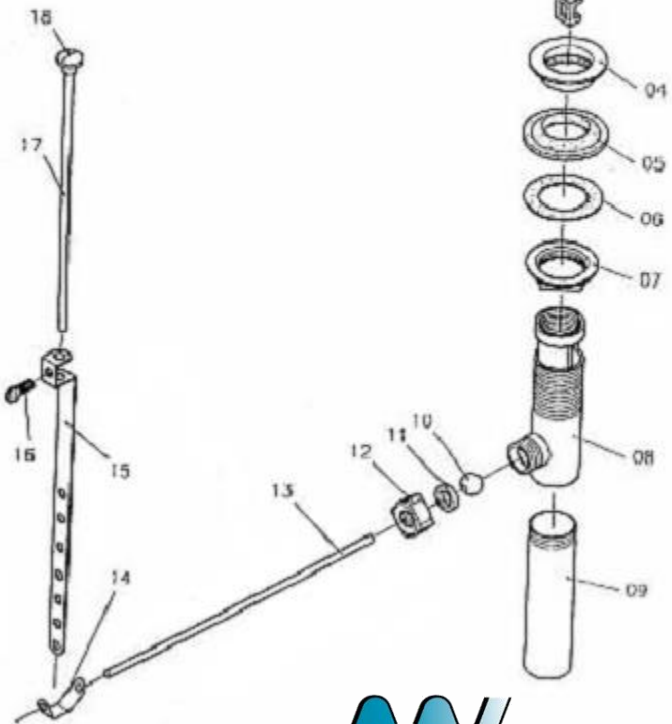


FEATURES & BENEFITS

- Chrome Plate Brass
- With Lift Rod
- CSA & cUPC Approved

MATERIAL SPECIFICATIONS

No.	Part Name	Material
1	Stopper	Brass
2	O-Ring	Rubber
3	Plunger	POM
4	Flange	Brass
5	Gasket	Rubber
6	Washer	PE
7	Nut	Brass
8	Pop-Up Body	Brass
9	Tailpiece	Brass
10	Ball	POM
11	Pivot	Nylon
12	Nut	POM
13	Pivot Rod	Brass
14	Spring Clip	Stainless Steel #304
15	Strap	Cold Rolled Steel
16	Thumb Screw	Cold Rolled Steel
17	Lift Rod	Brass
18	Knob	Brass



MATCO-NORCA

Global sourcing. National compliance. Local service.

CALIFORNIA 5595 Fresca Dr., La Palma CA 90623
TEXAS 1150 Silber Rd., Houston TX 77055
ILLINOIS 278 Windy Point Dr., Glendale Heights, IL 60139
NEW YORK PO Box 27, Rt.22, Brewster NY 10509
 WEB: www.matco-norca.com

• Phone: 866-532-8306 • Fax: 866-532-8307
 • Phone: 800-935-5456 • Fax: 713-680-2999
 • Phone: 844-412-5068 • Fax: 800-640-2252
 • Phone: 800-431-2082 • Fax: 845-278-9056
 EMAIL: mail@matco-norca.com