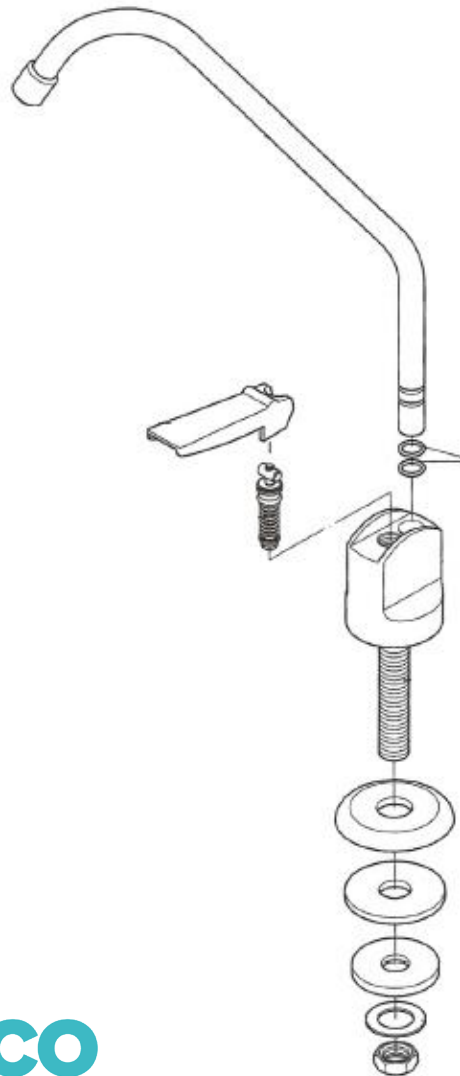
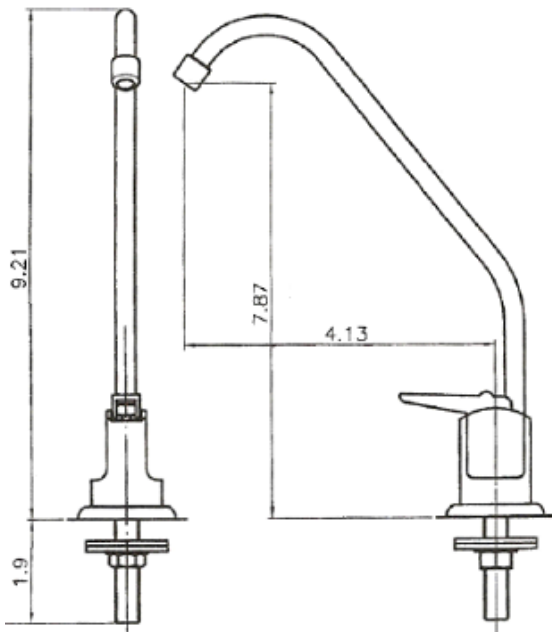


FY-930 Drinking Water Faucet • Spec Sheet



FEATURES & BENEFITS

- Chrome Plated
- Push Down Lever
- NSF Approved



MATCO
NORCA

CALIFORNIA 5595 Fresca Dr., La Palma CA 90623
TEXAS 1150 Silber Rd., Houston TX 77055
ILLINOIS 278 Windy Point Dr., Glendale Heights, IL 60139
GEORGIA 113 Industrial Blvd., Americus, Georgia 31709
NEW YORK PO Box 27, Rt.22, Brewster NY 10509
WEB: www.matco-norca.com

• Phone: 866-532-8306 • Fax: 866-532-8307
• Phone: 800-935-5456 • Fax: 713-680-2999
• Phone: 844-412-5068 • Fax: 800-640-2252
• Phone: 800-433-7526 • Fax: 800-533-5134
• Phone: 800-431-2082 • Fax: 845-278-9056
EMAIL: mail@matco-norca.com