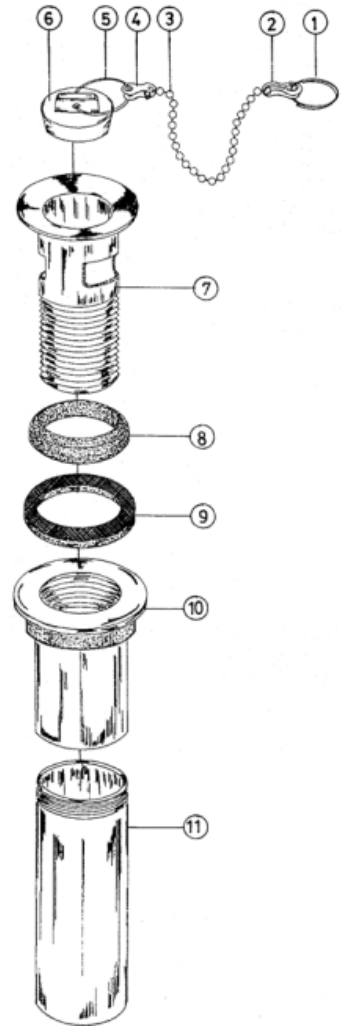


FY-925 Pop Up • Spec Sheet



FEATURES & BENEFITS

- Cast Brass - Chrome Plated
- Two Piece P.O. Plug
- With Chain & Stopper
- Cast Top With 4" Tailpiece
- Chrome Brass Nut



MATERIAL SPECIFICATIONS

No.	Part	Material
1	Hanger Ring	Hot Rolled SAE 1010R
2	Joint Clamb	Zinc Z30A
3	Joint Accessories	Zinc Z30A
4	Joint Clamb	Zinc Z30A
5	C Ring	Hot Rolled SAE 1010R
6	Plug	Rubber (NBR) SN-919F (2)
7	Flange	Brass B584 C85710
8	Packing	Rubber (NBR) SN-919F (2)
9	Gasket	Fibre "H"
10	Nut	Brass B584 C85710
11	Pipe	Brass (Copper Alloy Nos. C27000)

 **MATCO-NORCA**
 Global sourcing. National compliance. Local service.

CALIFORNIA 5593 Fresca Dr., La Palma CA 90623 • Toll Free: 866-532-8306 • Fax: 866-532-8307
TEXAS 1150 Silber Rd., Houston TX 77055 • Toll Free: 800-935-5456 • Fax: 713-680-2999
NEW YORK PO Box 27, Rt. 22, Brewster NY 10509 • Toll Free: 800-431-2082 • Fax: 845-278-9056
 WEB: www.matco-norca.com EMAIL: mail@matco-norca.com