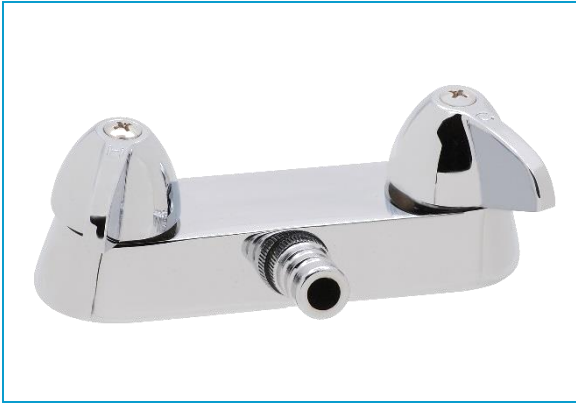
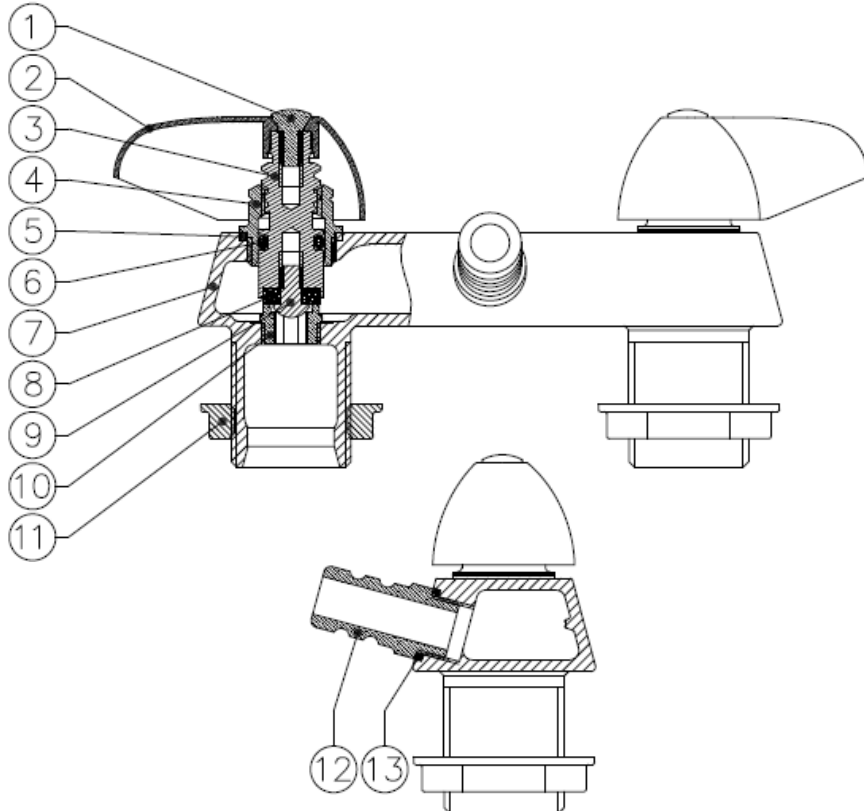


# FY-750 Bathcock • Spec Sheet



## FEATURES & BENEFITS

- Bathcock For Claw Foot Tub
- 3-3/8"
- Chrome
- UPC Approved



## MATERIAL SPECIFICATIONS

No.	Part	Material
1	Screw	Brass C37700
2	Handle	Zinc
3	Stem	Brass C89550
4	Shell	Brass C89550
5	Washer	Nylon
6	O-Ring	BUNA SN-719F
7	Body	Brass C89550
8	Washer	EPDM SE-719F
9	Screw	Brass C37700
10	Sealing Seat	Brass C89550
11	Nut	Brass C37700
12	Spout	Brass C89550
13	O-Ring	BUNA SN-719F

**MATCO-NORCA**  
 Global sourcing. National compliance. Local service.

**CALIFORNIA** 5593 Fresca Dr., La Palma CA 90623 • Toll Free: 866-532-8306 • Fax: 866-532-8307  
**TEXAS** 1150 Silber Rd., Houston TX 77055 • Toll Free: 800-935-5456 • Fax: 713-680-2999  
**NEW YORK** PO Box 27, Rt. 22, Brewster NY 10509 • Toll Free: 800-431-2082 • Fax: 845-278-9056  
 WEB: [www.matco-norca.com](http://www.matco-norca.com) EMAIL: [mail@matco-norca.com](mailto:mail@matco-norca.com)