

FY-682LF Hose Bibb • Spec Sheet



*Product will have LF imprinted on the body for Lead Free

FEATURES & BENEFITS

- Lead Free Brass*
- Chrome Plated
- Hose End Outlet
- 1/2" MIP Inlet-Adj Flange

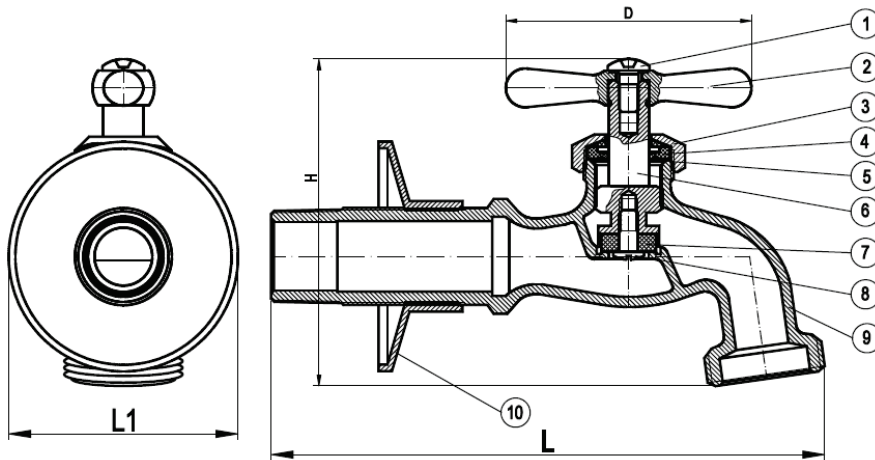
DIMENSIONS

Size	H	L	L1	D
1/2"	2.92	4.94	2.05	2.19

MATERIAL SPECIFICATIONS

No.	Part	Material
1	Bolt	JIS G3507-1
2	Handle	Zinc Z30A
3	Bonnet	Brass B124 C37700
4	Packing	Buna SN-719F
5	Washer	Stainless Steel 304
6	Stem	Brass C 46400
7	Seat Packing	Buna SN-719F
8	Seat Screw	JIS H3260 - C2600W
9	Body	Brass C 46400
10	Flange	Brass B 584 C85700

* These product complies with 0.25% weighted average lead content on wetted surfaces in accordance with Safe Water Drinking Act (SDWA) / Federal Public Law No. 111-380.



Global sourcing. National compliance. Local service.

CALIFORNIA 5593 Fresca Dr., La Palma CA 90623 • Toll Free: 866-532-8306 • Fax: 866-532-8307
TEXAS 1150 Silber Rd., Houston TX 77055 • Toll Free: 800-935-5456 • Fax: 713-680-2999
NEW YORK PO Box 27, Rt. 22, Brewster NY 10509 • Toll Free: 800-431-2082 • Fax: 845-278-9056
 WEB: www.matco-norca.com EMAIL: mail@matco-norca.com