

# FY-675LF Hose Bibb • Spec Sheet



## FEATURES & BENEFITS

- Lead Free Brass\*
- Chrome Plated
- Plain End Outlet
- 1/2" FIP Inlet- Flanged

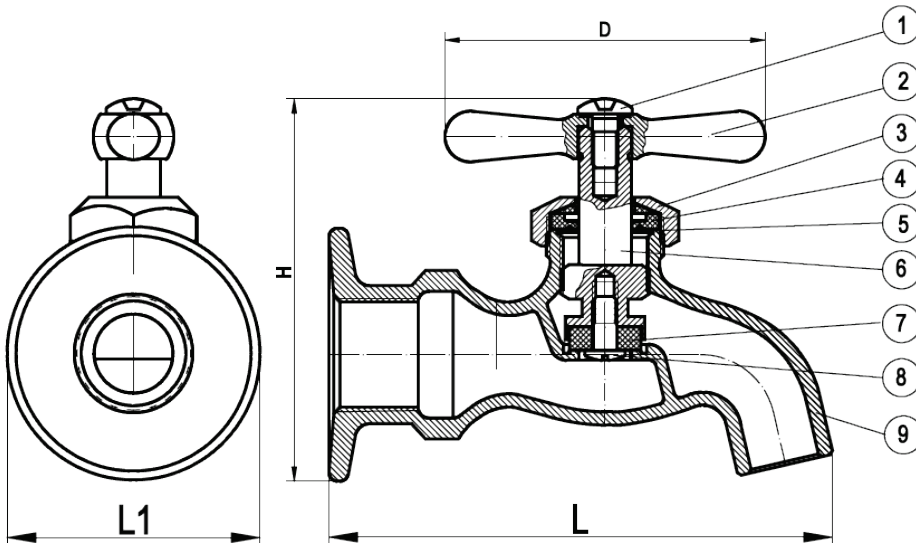
## DIMENSIONS

Size	H	L	L1	D
1/2"	2.62	3.45	1.73	2.19

## MATERIAL SPECIFICATIONS

No.	Part	Material
1	Bolt	JIS G3507-1
2	Handle	Zinc Z30A
3	Bonnet	Brass B124 C37700
4	Packing	Buna SN-719F
5	Washer	Stainless Steel 304
6	Stem	Brass C 46400
7	Seat Packing	Buna SN-719F
8	Seat Screw	JIS H3260 - C2600W
9	Body	Brass C 46400

\* These product complies with 0.25% weighted average lead content on wetted surfaces in accordance with Safe Water Drinking Act (SDWA) / Federal Public Law No. 111-380.



Global sourcing. National compliance. Local service.

**CALIFORNIA** 5593 Fresca Dr., La Palma CA 90623 • Toll Free: 866-532-8306 • Fax: 866-532-8307  
**TEXAS** 1150 Silber Rd., Houston TX 77055 • Toll Free: 800-935-5456 • Fax: 713-680-2999  
**NEW YORK** PO Box 27, Rt. 22, Brewster NY 10509 • Toll Free: 800-431-2082 • Fax: 845-278-9056  
 WEB: [www.matco-norca.com](http://www.matco-norca.com) EMAIL: [mail@matco-norca.com](mailto:mail@matco-norca.com)