

# FY-155 & FY-156 OPEN GRID P.O. PLUG WITH TAILPIECE

❖ 17 GAUGE

❖ CHROME PLATED BRASS

❖ INDIVIDUALLY BAGGED & BOXED

PRODUCT SPEC SHEET

*FY-155 - 4"*



*FY-156 - 6"*



CORPORATE HEADQUARTERS  
**MATCO-NORCA, INC.**  
BREWSTER, NEW YORK

P. O. Box 27 ROUTE 22  
TEL: 845-278-7570  
TOLL FREE: 800-431-2082

BREWSTER, NY 10509  
FAX: 845-278-9056  
FAX: 800-640-2252

Visit our web site: [www.matco-norca.com](http://www.matco-norca.com)  
email: [mail@matco-norca.com](mailto:mail@matco-norca.com)

**MATCO**  
**NORCA**

WESTERN REGION  
**MATCO-NORCA, INC.**  
LA PALMA, CALIFORNIA

5593 FRESCA DRIVE  
TEL: 714-522-1889  
TOLL FREE: 866-532-8306

LA PALMA, CA 90623  
FAX: 714-522-3828  
FAX: 866-532-8307

CENTRAL REGION  
**MATCO-NORCA, INC.**  
HOUSTON, TEXAS

1150 SILBER ROAD  
TEL: 713-680-2888  
TOLL FREE: 800-935-5456

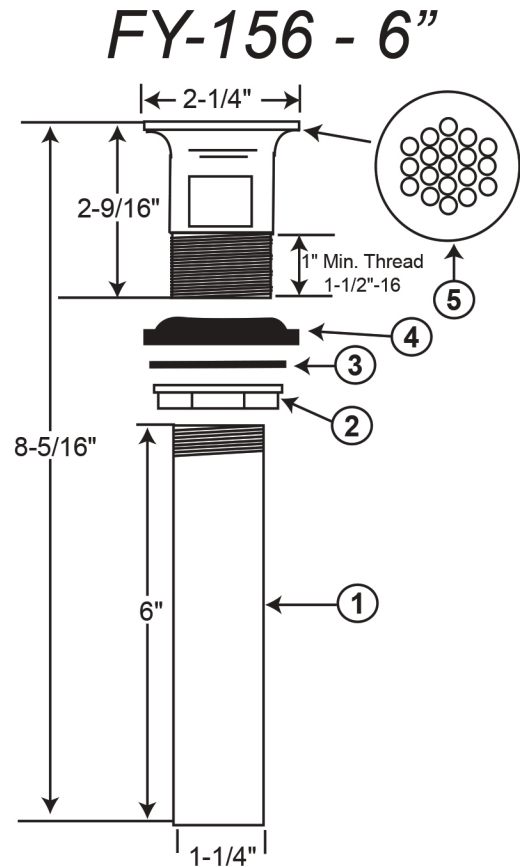
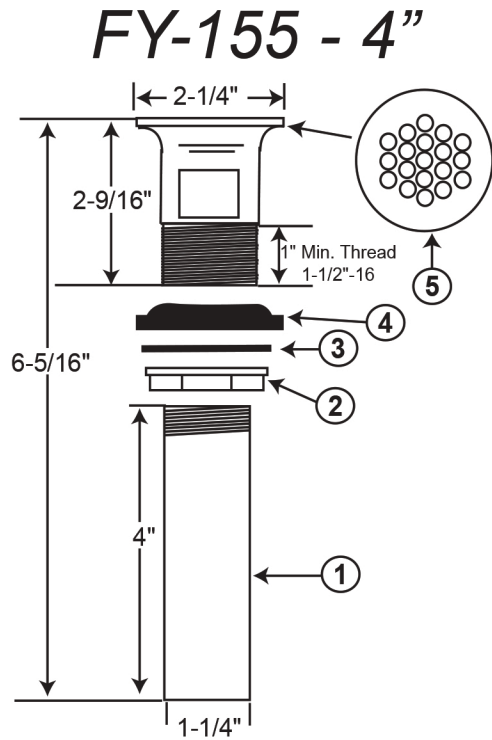
HOUSTON, TX 77055  
FAX: 713-680-2999  
FAX: 800-683-4247

# FY-155 & FY-156 OPEN GRID P.O. PLUG WITH TAILPIECE

❖ 17 GAUGE

❖ CHROME PLATED BRASS

❖ INDIVIDUALLY BAGGED & BOXED



MATERIAL SPECIFICATIONS		
No.	PARTS	MATERIALS
1	Tail Piece	17 Gauge Chrome Plated Brass
2	Lock Nut	Brass
3	Friction Washer	Fiber
4	Washer	Rubber
5	19 Hole-7/32" Grid	Heavy Duty Polished Chrome Cast Brass