

Float Valve MIP X PLAIN & MIP X MIP

Spec Sheet

FEATURES & BENEFITS

- Float Valve
- 125 WOG
- MIP Inlet – Plain Outlet 1/2" & 3/4"
- MIP Inlet – MIP Outlet 1/2" & 3/4"

FV-303- 1/2"

FV-303P- 1/2"

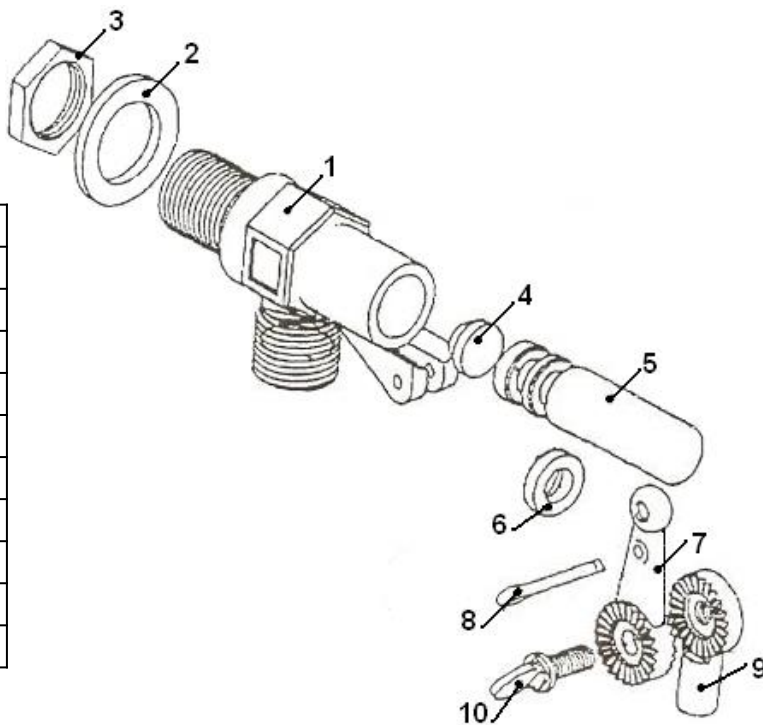
FV-404- 3/4"

FV-404P- 3/4"



MATERIAL SPECIFICATIONS

No.	Part	Material
1	Body	Bronze C84400
2	Packing	Rubber NBR
3	Nut	Brass Rod C3600
4	Washer	BUNA
5	Plunger	Brass Rod C3600
6	Leather Ring	Leather
7	Long Arm	Forged Brass C37700
8	Cotter Pin	Brass Wire C3600
9	Short Arm	Forged Brass C37700
10	Thumb Screw	Brass Rod C3600



Float Valve FIP X PLAIN

Spec Sheet

FEATURES & BENEFITS

- Float Valve
- 125 WOG
- FIP Inlet – Plain Outlet 1" - 2"

FV-505- 1"

FV-606- 1-1/4"

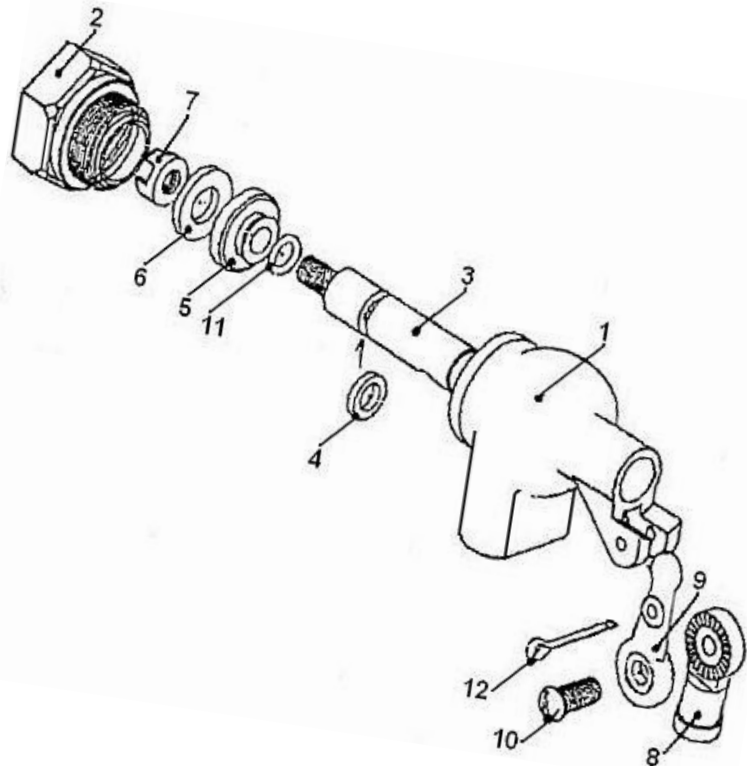
FV-707- 1-1/2"

FV-808- 2"



MATERIAL SPECIFICATIONS

No.	Part	Material
1	Body	Bronze C84400
2	Base	Bronze C84400
3	Plunger	Brass Rod
4	Leather Ring	Leather
5	Holder	Brass Rod C3600
6	Packing	Rubber NBR
7	Nut	Brass
8	Short Arm	Forged Brass C37700
9	Long Arm	Forged Brass C37700
10	Screw	Brass Rod C3600
11	O-Ring	Rubber NBR
12	Cotter Pin	Brass Wire C3600



MATCO
NORCA