

Float Valve MIP X PLAIN & MIP X MIP • Spec Sheet



FEATURES & BENEFITS

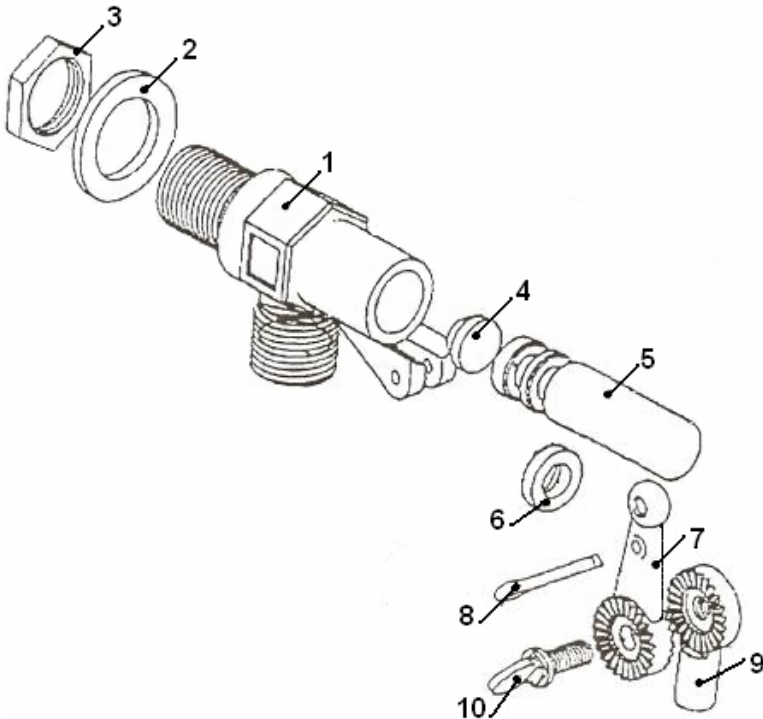
- ISO-9002
- Float Valve
- 125 WOG
- MIP Inlet – Plain Outlet 1/2" & 3/4"
- MIP Inlet – MIP Outlet 1/2" & 3/4"

FV-303- 1/2"

FV-303P- 1/2"

FV-404- 3/4"

FV-404P- 3/4"



MATERIAL SPECIFICATION

No.	Name	Material
1	Body	Bronze C84400
2	Packing	Rubber NBR
3	Nut	Brass Rod C3600
4	Washer	Buna
5	Plunger	Brass Rod C3600
6	Leather Ring	Leather
7	Long Arm	Forged Brass C37700
8	Cotter Pin	Brass Wire C3600
9	Short Arm	Forged Brass C37700
10	Thumb Screw	Brass Rod C36000

MATCO-NORCA

Global sourcing. National compliance. Local service.

NEW YORK
TEXAS
CALIFORNIA

WEB: www.matco-norca.com

PO Box 27, Rt. 22, Brewster NY 10509 • Toll Free: 800-431-2082 • Fax: 845-278-9056

1150 Silber Rd., Houston TX 77055 • Toll Free: 800-935-5456 • Fax: 713-680-2999

5593 Fresca Dr., La Palma CA 90623 • Toll Free: 866-532-8306 • Fax: 714-522-3828

EMAIL: mail@matco-norca.com

Float Valve FIP X PLAIN • Spec Sheet



FEATURES & BENEFITS

- ISO-9002
- Float Valve
- 125 WOG
- FIP Inlet – Plain Outlet 1" – 2"

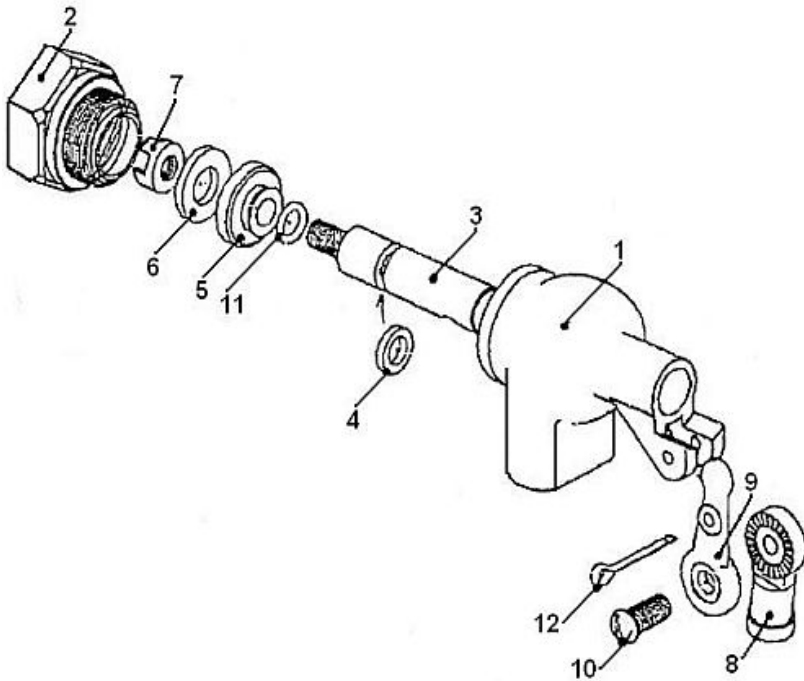
FV-505- 1"

FV-606- 1-1/4"

FV-707- 1-1/2"

FV-808- 2"

MATERIAL SPECIFICATION



No.	Name	Material
1	Body	Bronze C84400
2	Base	Bronze C84400
3	Plunger	Brass Rod
4	Leather Ring	Leather
5	Holder	Brass Rod C36000
6	Packing	Rubber NBR
7	Nut	Brass
8	Short Arm	Forged Brass C37700
9	Long Arm	Forged Brass C37700
10	Screw	Brass Rod C3600
11	O- Ring	Rubber NBR
12	Cotter Pin	Brass Wire C3600

MATCO-NORCA

Global sourcing. National compliance. Local service.

NEW YORK
TEXAS
CALIFORNIA

WEB: www.matco-norca.com

PO Box 27, Rt. 22, Brewster NY 10509 • Toll Free: 800-431-2082 • Fax: 845-278-9056

1150 Silber Rd., Houston TX 77055 • Toll Free: 800-935-5456 • Fax: 713-680-2999

5593 Fresca Dr., La Palma CA 90623 • Toll Free: 866-532-8306 • Fax: 714-522-3828

EMAIL: mail@matco-norca.com