

# DWV Trap Adapter • Spec Sheet

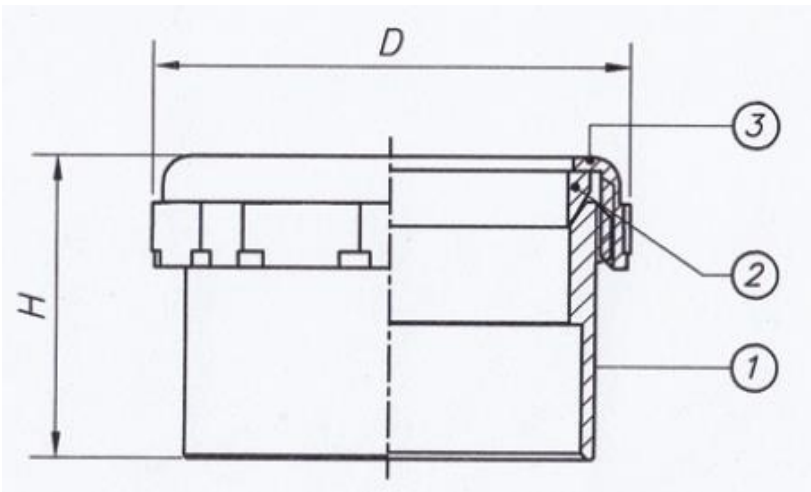


## FEATURES & BENEFITS

- Cast Brass
- SWT x Slip Trap Adapter

## DIMENSIONS

Part #	Size	D	H
DWV-07TA	1-1/2"	2.03	1.29



## MATERIAL SPECIFICATIONS

No.	Part	Material
1	Nipple	Brass B584 C85710
2	Packing	POM M90
3	Packing Nut	Brass B584 C85710



Global sourcing. National compliance. Local service.

**CALIFORNIA** 5595 Fresca Dr., La Palma CA 90623  
**TEXAS** 1150 Silber Rd., Houston TX 77055  
**ILLINOIS** 278 Windy Point Dr., Glendale Heights, IL 60139  
**NEW YORK** PO Box 27, Rt.22, Brewster NY 10509  
 WEB: [www.matco-norca.com](http://www.matco-norca.com)

• Phone: 866-532-8306 • Fax: 866-532-8307  
 • Phone: 800-935-5456 • Fax: 713-680-2999  
 • Phone: 844-412-5068 • Fax: 800-640-2252  
 • Phone: 800-431-2082 • Fax: 845-278-9056  
 EMAIL: [mail@matco-norca.com](mailto:mail@matco-norca.com)

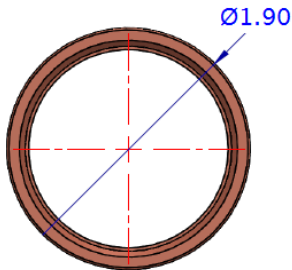
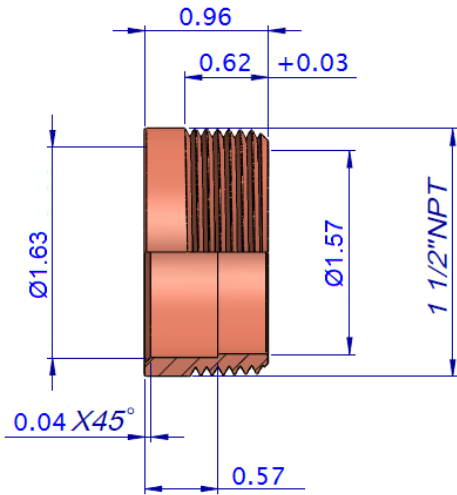
# DWV Adapter Bushings • Spec Sheet



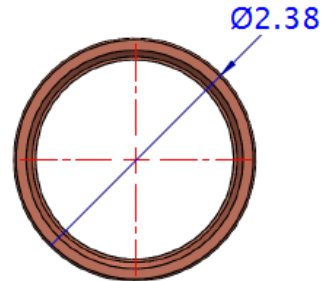
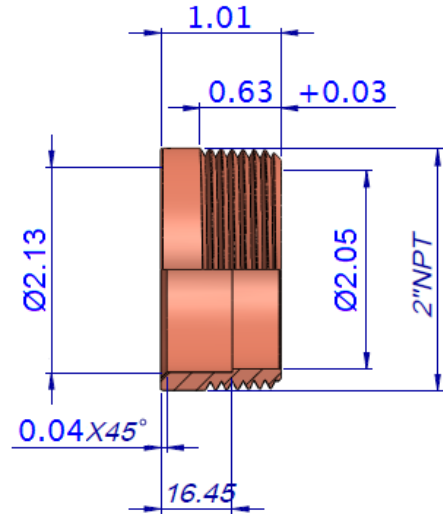
## FEATURES & BENEFITS

- Cast Brass
- SWT x Male Adapter Bushing

**DWV-07A – 1-1/2"**



**DWV-08A – 2"**



**Global sourcing. National compliance. Local service.**

**CALIFORNIA** 5595 Fresca Dr., La Palma CA 90623  
**TEXAS** 1150 Silber Rd., Houston TX 77055  
**ILLINOIS** 278 Windy Point Dr., Glendale Heights, IL 60139  
**NEW YORK** PO Box 27, Rt.22, Brewster NY 10509  
 WEB: [www.matco-norca.com](http://www.matco-norca.com)

• Phone: 866-532-8306 • Fax: 866-532-8307  
 • Phone: 800-935-5456 • Fax: 713-680-2999  
 • Phone: 844-412-5068 • Fax: 800-640-2252  
 • Phone: 800-431-2082 • Fax: 845-278-9056  
 EMAIL: [mail@matco-norca.com](mailto:mail@matco-norca.com)