

DV841 & DV841S

Diverter For Hand Held Showers

Specification Sheet

DV841 – Brass, Lever Handle - Chrome

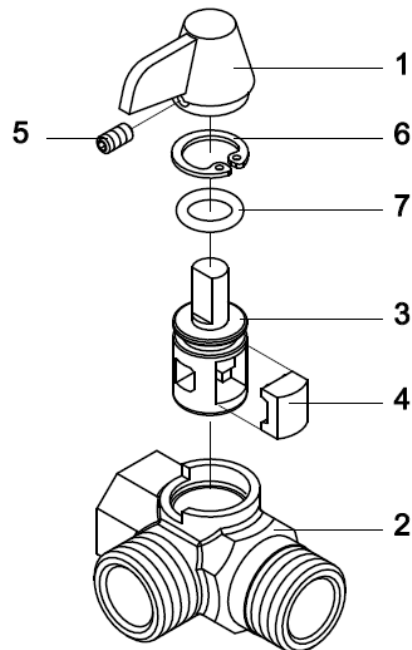
DV841S – Brass, Lever Handle - Brushed Nickel



MATERIAL SPECIFICATIONS

No.	Part	Material
1	Handle	Zinc
2	Body	Brass
3	Stem	ABS
4	Packing	NBR
5	Screw	Stainless
6	"C" Clip	Stainless
7	O-Ring	NBR

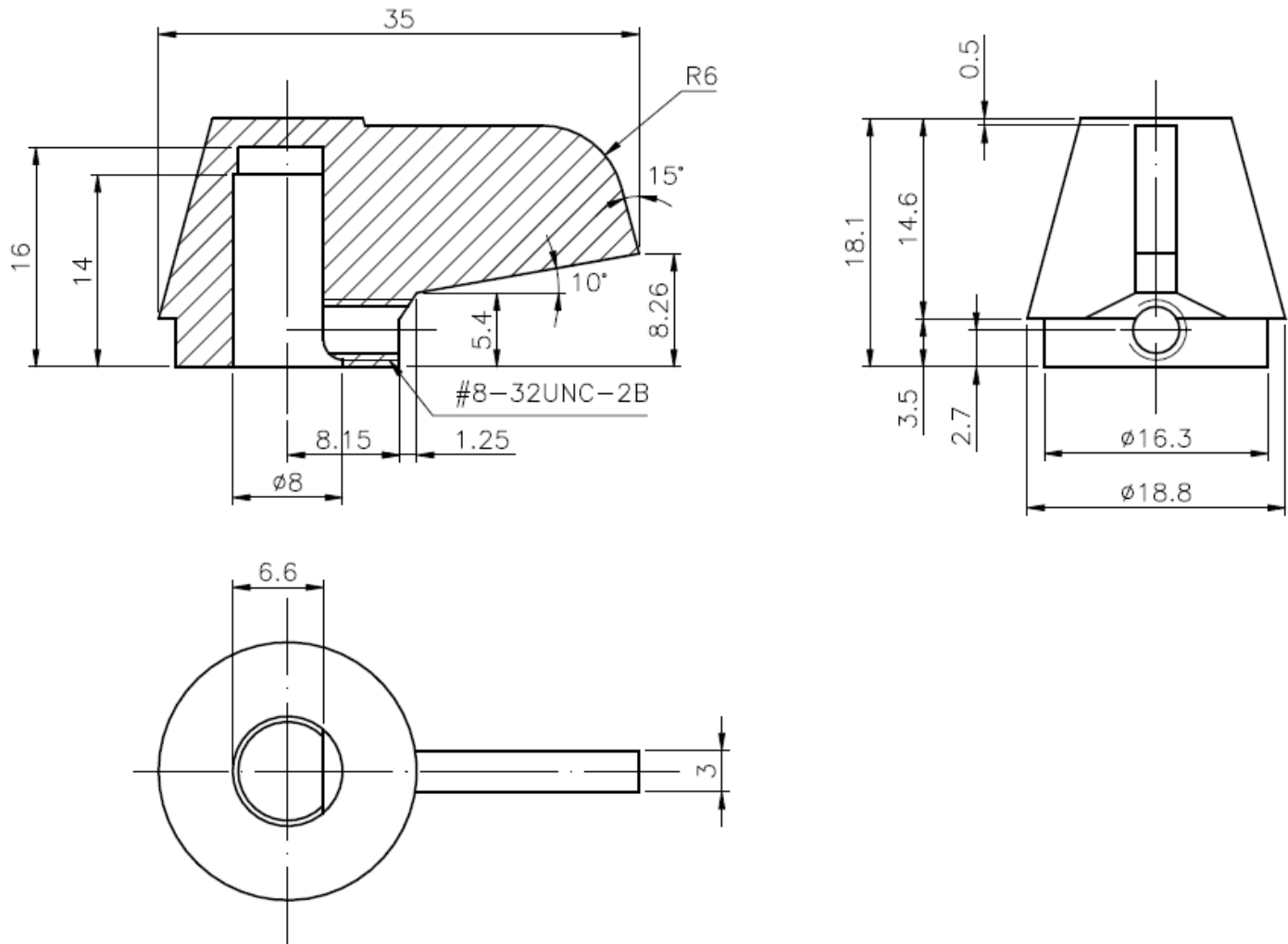
*See Next Pages for Part Details



DV841 & DV841S Diverter For Hand Held Showers

Specification Sheet

HANDLE - ZINC



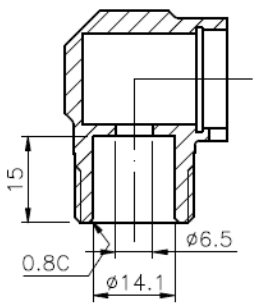
MATCO
NORCA

DV841 & DV841S

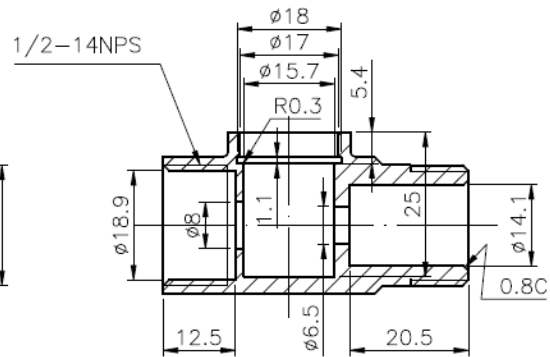
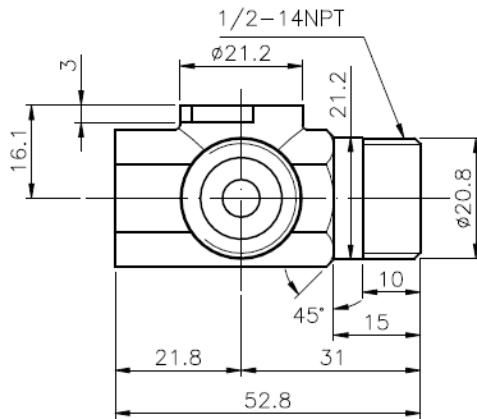
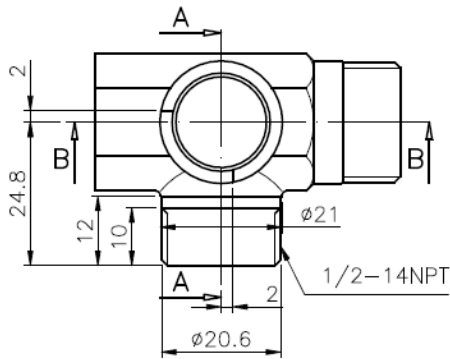
Diverter For Hand Held Showers

Specification Sheet

BODY - BRASS



SECTION A-A



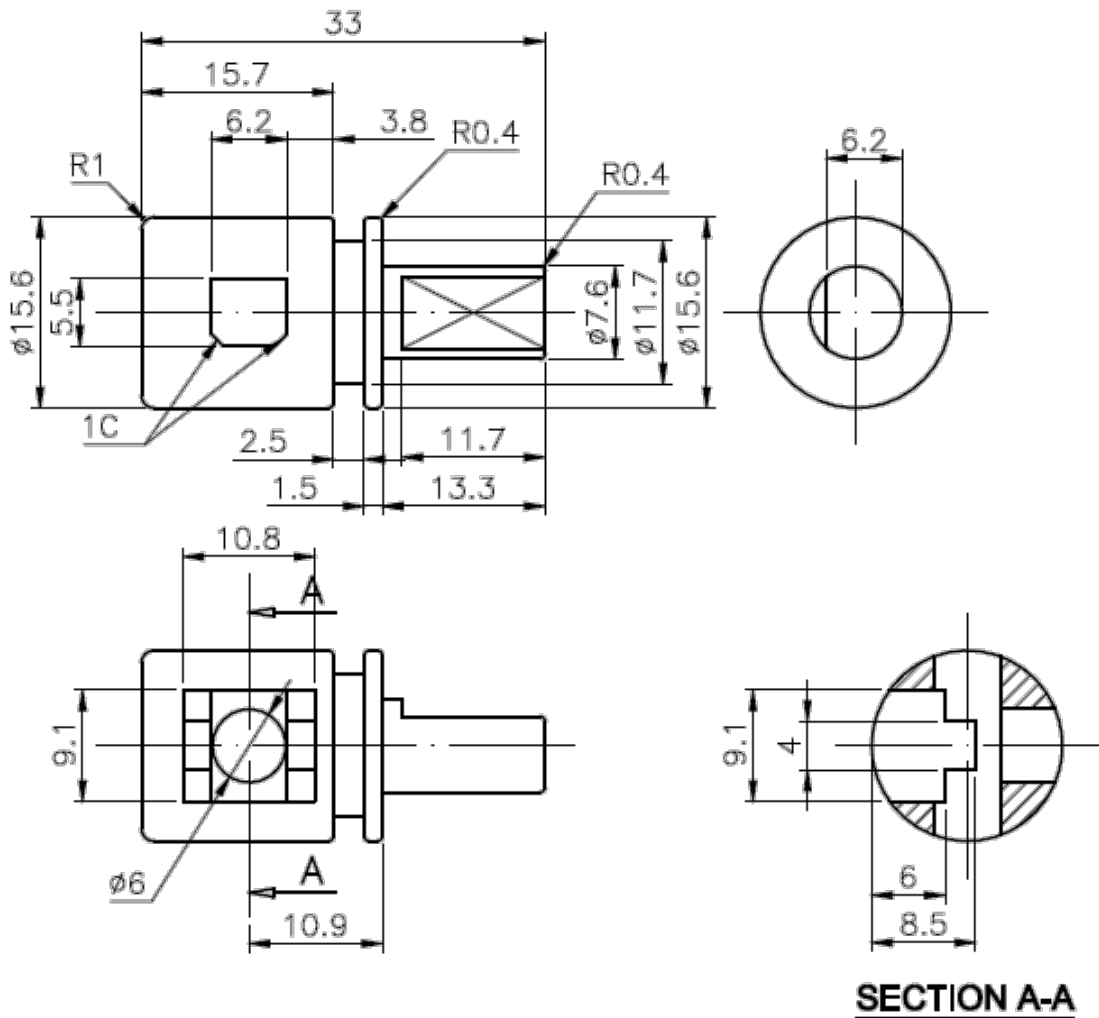
SECTION B-B



DV841 & DV841S Diverter For Hand Held Showers

Specification Sheet

STEM - ABS

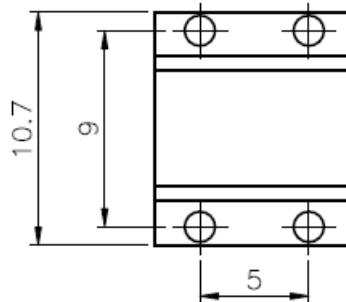
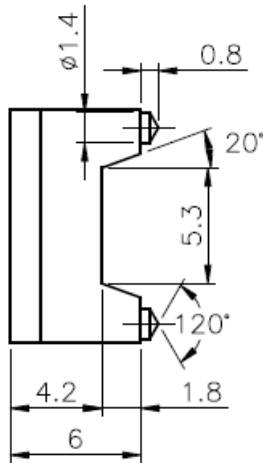
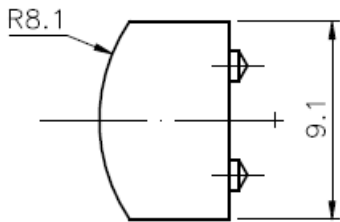


DV841 & DV841S

Diverter For Hand Held Showers

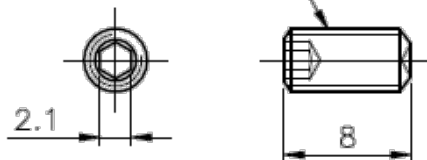
Specification Sheet

PACKING - NBR



SCREW - STAINLESS

#8-32UNC-2A



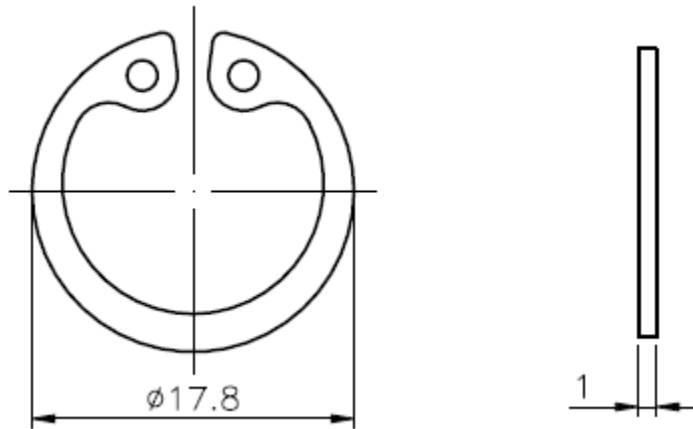
MATCO
NORCA

DV841 & DV841S

Diverter For Hand Held Showers

Specification Sheet

"C" CLIP - STAINLESS



O-RING - NBR

