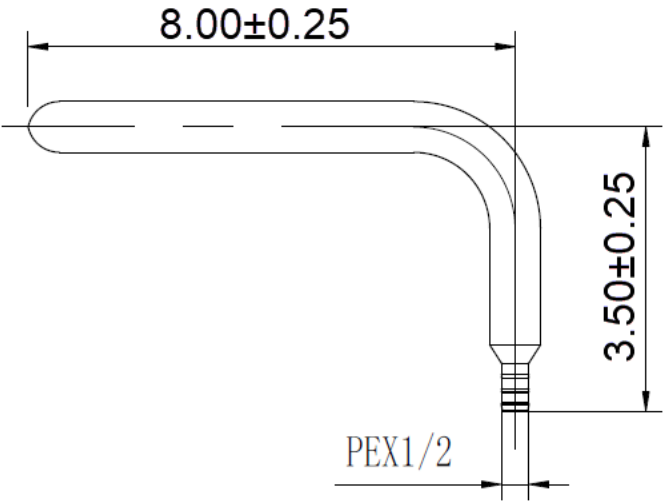


PEX Stub Out Elbow

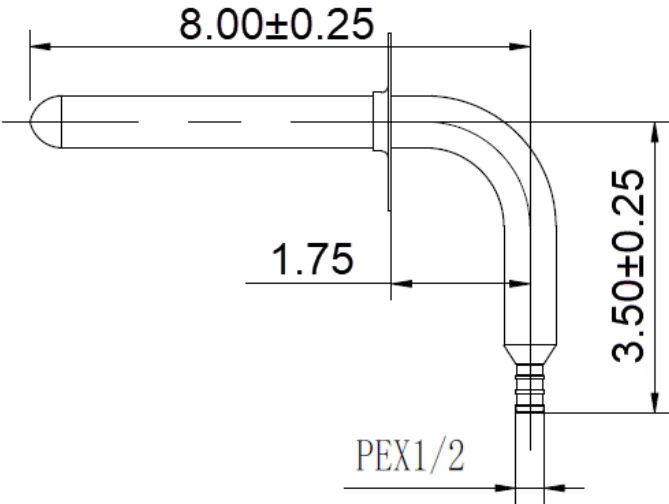
Specification Sheet

FEATURES & BENEFITS

- Angle PEX Stub Out Elbow
- Available with Wall Plate
- Copper - ASTM F1B07 C12200
- PEX Ends Comply with ASTM F1807-02a
- Size 1/2" x 3-1/2" x 8"



CSOL-038PX



CSOL-038PXWP

