

- CR-900C**
- CR-9000RB**
- CR-900BNJP**
- CR-900BN**
- CR-900CJP**
- CR-9000RBJP**



Two Handle Roman Tub Faucet



Product Spec Sheet

FEATURES & BENEFITS

- Metal Lever Handles
- Ceramic Cartridges
- Min Flow Rate 4.0 GPM (15.1 L/MIN) at 20 PSI (ASME A112.18.1)

APPROVALS:

Meets or Exceeds The Following:

- * ANSI/ASME A112.18.1
- * IAPMO/cUPC

CR-900C
Chrome Finish

CR-900BN
Brushed Nickel Finish

CR-9000RB
Oil Rubbed Bronze Finish

CR-900CJP
Trim Kit For Roman Tub
Chrome Finish

CR-900BNJP
Trim Kit For Roman Tub
Brushed Nickel Finish

CR-9000RBJP
Trim Kit For Roman Tub
Oil Rubbed Bronze Finish



CALIFORNIA:
TEXAS:
NEW YORK:

TEL: 866-532-8306
TEL: 800-935-5456
TEL: 800-431-2082

FAX: 866-532-8307
FAX: 800-683-4247
FAX: 800-640-2252

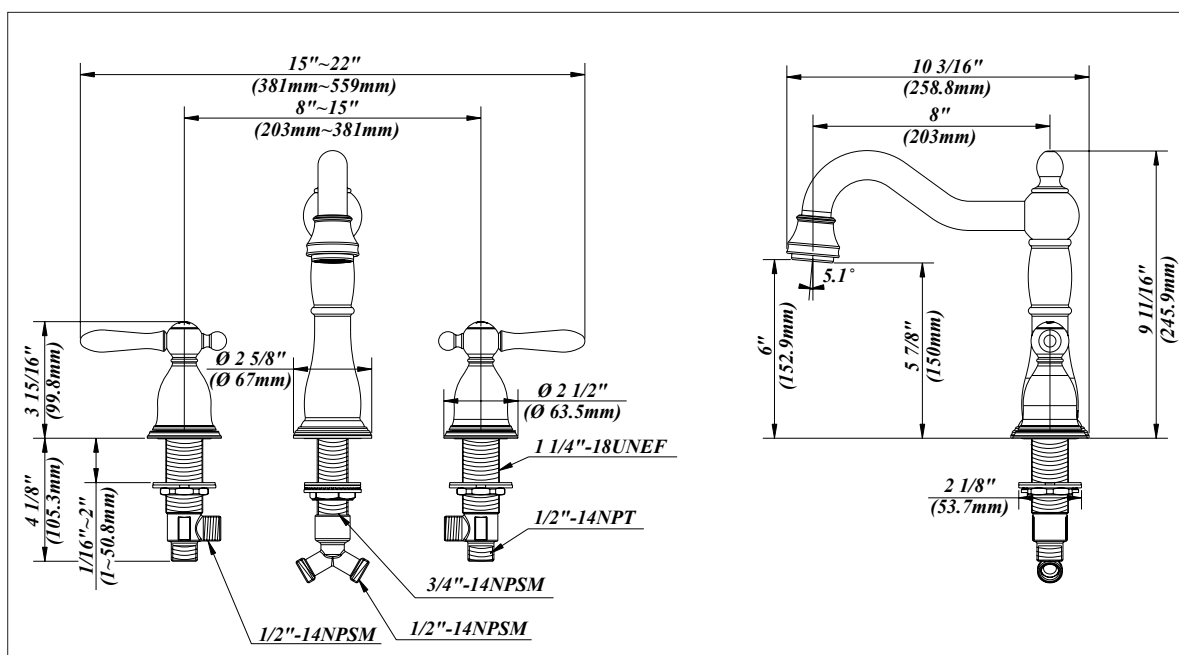
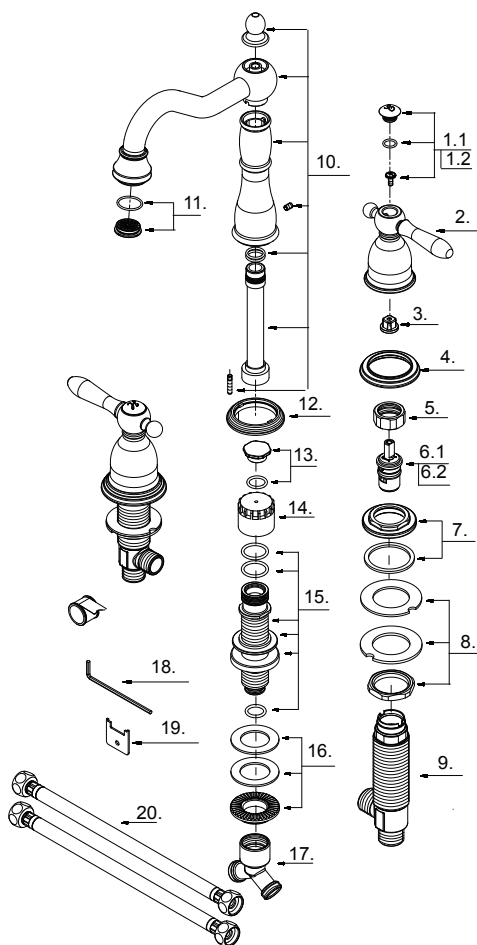
Visit Our Web Site : www.matco-norca.com

- CR-900C**
- CR-900BN**
- CR-900RB**
- CR-900CJP**
- CR-900BNJP**
- CR-900RBJP**



Two Handle Roman Tub Faucet

No.	Name	Part No.
1.1	Index Button-Cold	A66D964C
1.2	Index Button-Hot	A66D964H
2	Metal Handle	A66E690
3	Handle Adapter	A110214
4	Handle Trim Ring	A071280
5	Retainer Nut	A016259
6.1	Ceramic Disc Cartridge-Cold	A507102W
6.2	Ceramic Disc Cartridge-Hot	A507101W
7	Lock Nut	A66D928
8	Mounting Hardware	A66D626
9	Handle Valve Body	A002570
10	Spout Assembly	A666882
11	Flow Straightener	A603646
12	Spout Trim Ring	A303016
13	Spout Plug	A603046
14	Spout Rough In Cap	A045153
15	Spout Body	A66D929
16	Mounting Hardware	A663491
17	"Y" Adaptor	A015224
18	Hex Wrench	(H 4 * 20 mm L * 70 mm L) A031011NI
19	Flow Straightener Wrench	A031214NI
20	Supply Hose	A105051



Product Spec Sheet

CALIFORNIA:
TEXAS:
NEW YORK:

TEL: 866-532-8306
TEL: 800-935-5456
TEL: 800-431-2082

FAX: 866-532-8307
FAX: 800-683-4247
FAX: 800-640-2252

Visit Our Web Site : www.matco-norca.com