

CR-240C
 CR-240ORB

CR-240SS



8" Two Handle Kitchen Faucet



FEATURES & BENEFITS

- This Product Contains Less Than 0.25% Weighted Average Lead Content On Wetted Surfaces
- Metal Lever Handles
- Ceramic Cartridges
- With Side Spray
- Max Flow Rate 1.5 GPM (5.7 L/MIN) At 60 PSI (ASME A112.18.1M/A112.18.1)

CR-240C
Chrome Finish

CR-240SS
Stainless Steel Finish

CR-240ORB
Oil Rubbed Bronze Finish

APPROVALS:

Meets or Exceeds The Following:

- * ANSI/ASME A112.18.1M/A112.18.1
- * NSF/ANSI 61 - Sec. 9
- * NSF/ANSI 372
- * IAPMO/cUPC
- * CA AB1953



NSF/ANSI 372
NSF/ANSI 61-9



CALIFORNIA:
TEXAS:
NEW YORK:

TEL: 866-532-8306
TEL: 800-935-5456
TEL: 800-431-2082

FAX: 866-532-8307
FAX: 800-683-4247
FAX: 800-640-2252

Visit Our Web Site : www.matco-norca.com

Product Spec Sheet

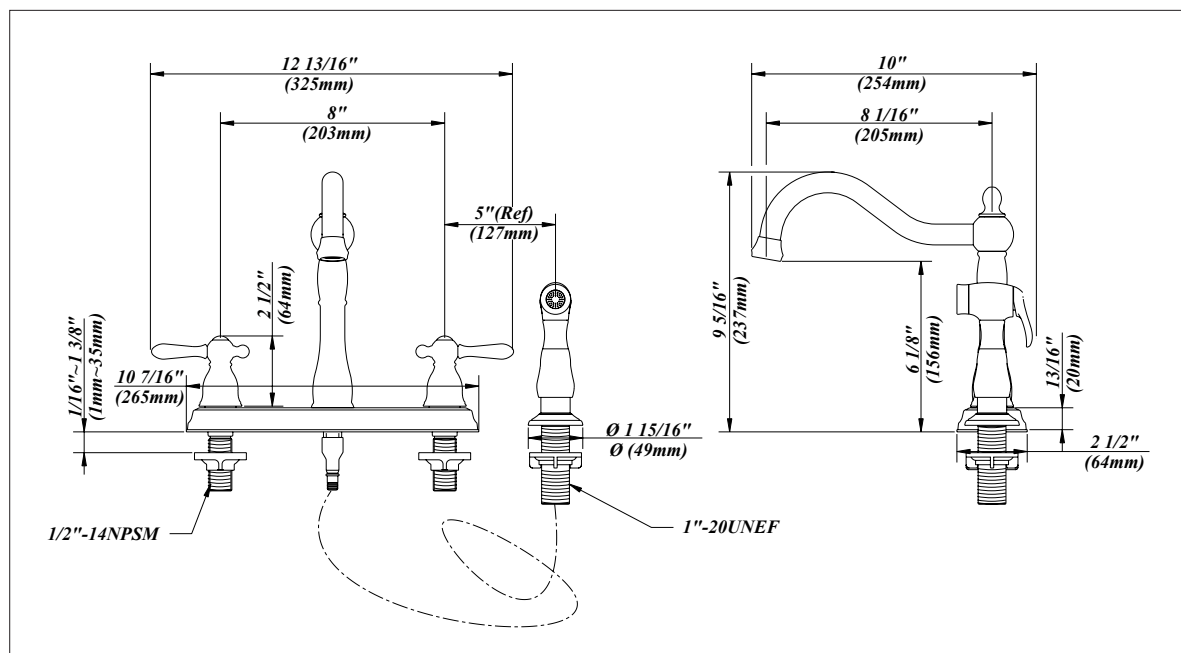
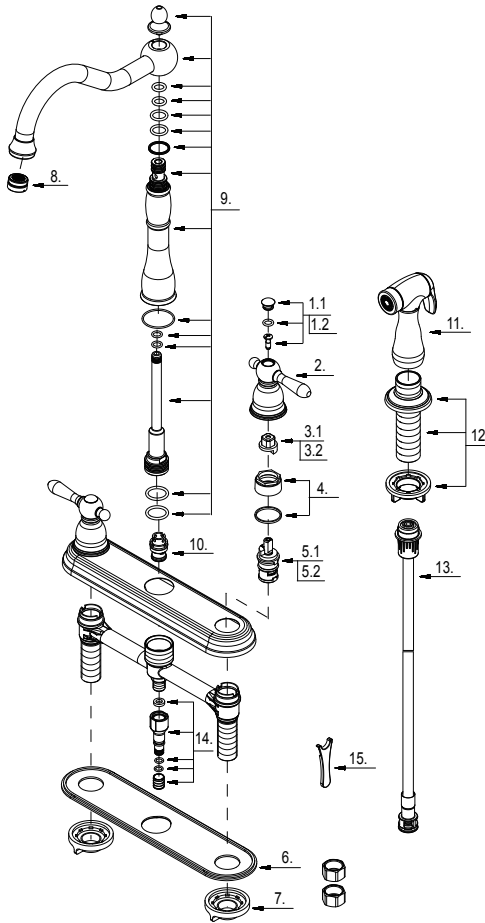
CR-240C
 CR-240ORB

CR-240SS



8" Two Handle Kitchen Faucet

No.	Name	Part No.
1.1	Index Button-Cold	A66D679C
1.2	Index Button-Hot	A66D679H
2	Metal Handle Assembly	A662583
3.1	Handle Adaptor-Cold	A110114C
3.2	Handle Adaptor-Hot	A110114H
4	Retainer Nut	A663629
5.1	Ceramic Disc Cartridge-Cold	A507104N
5.2	Ceramic Disc Cartridge-Hot	A507103N
6	Putty Plate	A011003
7	Lock Nut Set	A504023
8	Aerator	A500155N-51
9	Spout Assembly	A666888W
10	Spray Diverter w/Vacuum Breaker	A501379N
11	Side Spray	A503143W
12	Spray Holder Assembly	A664248
13	Spray Hose	A512139N
14	Sealing Kit	A66G352N
15	Aerator Wrench	A031025



Product Spec Sheet

CALIFORNIA:
TEXAS:
NEW YORK:

TEL: 866-532-8306
TEL: 800-935-5456
TEL: 800-431-2082

FAX: 866-532-8307
FAX: 800-683-4247
FAX: 800-640-2252

Visit Our Web Site : www.matco-norca.com