

CPVCDE0303SS Drop Ear Elbow • Spec Sheet

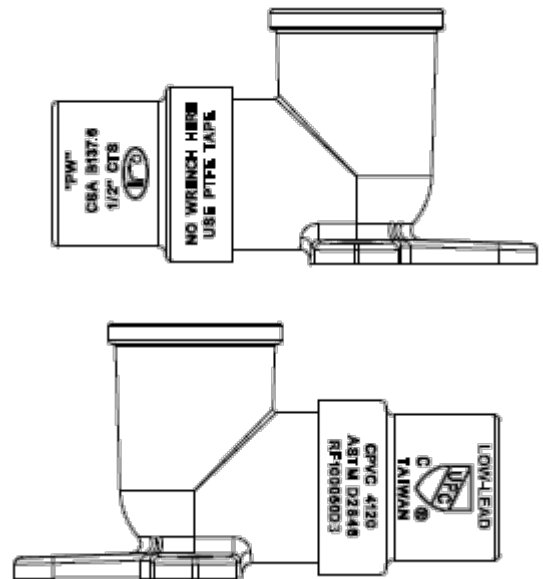
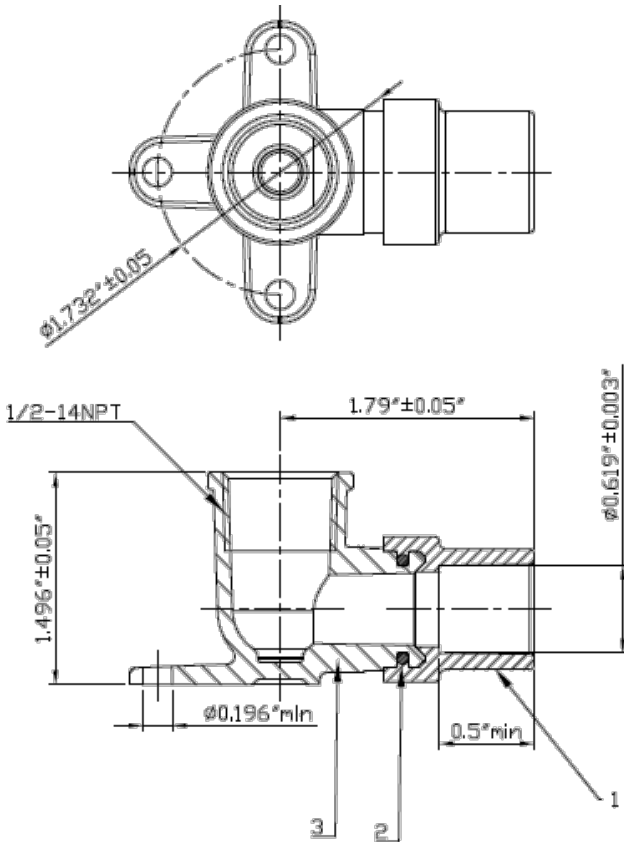


FEATURES & BENEFITS

- CPVC X Stainless Steel Drop Ear Elbow
- For use in new and retrofit installations in residential and light commercial plumbing systems.
- Durable over molded one-piece fitting eliminates union tail-piece connection and possible leak path,
- Molded CPVC end piece with slip connection.
- Pressure rated to 100 psi at 180° F / 150 psi at 100° F
- Manufactured to the material and dimensional requirements of ASTM D-2846
- Female threads to ASME B 1.20.1
- Standards: CPVC 4120, ASTM D2846, NSF / ANSI 14, cUPC, CSA B137.6
- Size 1/2"

MATERIAL SPECIFICATIONS

No.	Part	Material
1	End Piece	CPVC / ASTM D1784
2	O-Ring	EPDM
3	Body	Stainless Steel 304



CALIFORNIA 5595 Fresca Dr., La Palma CA 90623
TEXAS 1150 Silber Rd., Houston TX 77055
ILLINOIS 278 Windy Point Dr., Glendale Heights, IL 60139
GEORGIA 113 Industrial Blvd., Americus, Georgia 31709
NEW YORK PO Box 27, Rt.22, Brewster NY 10509
 WEB: www.matco-norca.com

• Phone: 866-532-8306 • Fax: 866-532-8307
 • Phone: 800-935-5456 • Fax: 713-680-2999
 • Phone: 844-412-5068 • Fax: 800-640-2252
 • Phone: 800-433-7526 • Fax: 800-533-5134
 • Phone: 800-431-2082 • Fax: 845-278-9056
 EMAIL: mail@matco-norca.com