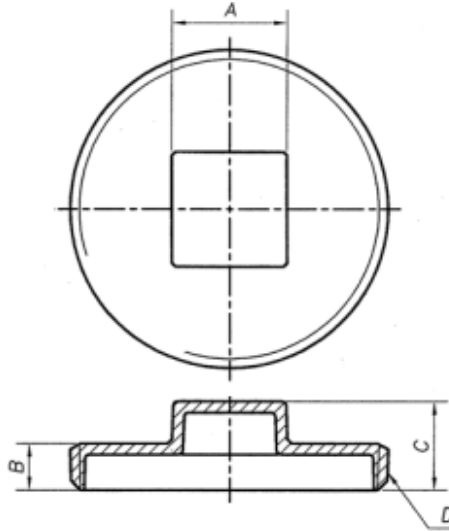
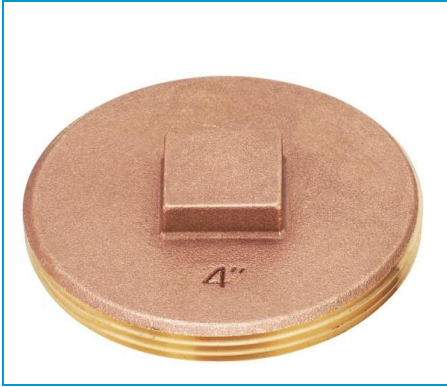


CP - CPC Brass Cleanout Plugs • Spec Sheet

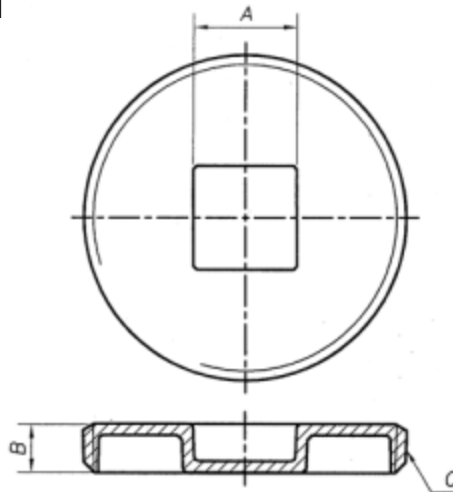
CP - Raised Head



DIMENSIONS

Part #	Size (D)	A	B	C
CP-125	1-1/4"	0.63	0.56	0.90
CP-150	1-1/2"	0.81	0.39	0.67
CP-200	2"	1.00	0.43	0.78
CP-250	2-1/2"	1.01	0.41	0.79
CP-300	3"	1.25	0.45	0.82
CP-350	3-1/2"	1.44	0.46	0.81
CP-400	4"	1.34	0.47	0.84
CP-500	5"	1.37	0.53	0.88
CP-600	6"	1.38	0.56	1.02
CP-800	8"	1.65	0.65	1.11

CPC - Countersunk Square Head



DIMENSIONS

Part #	Size (C)	A	B
CPC-150	1-1/2"	0.63	0.44
CPC-200	2"	0.80	0.43
CPC-250	2-1/2"	0.90	0.42
CPC-300	3"	1.14	0.47
CPC-350	3-1/2"	0.98	0.46
CPC-400	4"	1.15	0.46
CPC-500	5"	1.44	0.52
CPC-600	6"	1.23	0.64
CPC-800	8"	1.50	0.65

 **MATCO-NORCA**
Global sourcing. National compliance. Local service.

NEW YORK PO Box 27, Rt. 22, Brewster NY 10509 • Toll Free: 800-431-2082 • Fax: 845-278-9056
TEXAS 1150 Silber Rd., Houston TX 77055 • Toll Free: 800-935-5456 • Fax: 713-680-2999
CALIFORNIA 5593 Fresca Dr., La Palma CA 90623 • Toll Free: 866-532-8306 • Fax: 866-532-8307
 WEB: www.matco-norca.com EMAIL: mail@matco-norca.com