

- CL-902C**       **CL-902CJP**
- CL-902BN**     **CL-902BNJP**



## **Two Handle Roman Tub Faucet**



# **Product Spec Sheet**

### **FEATURES & BENEFITS**

- Acrylic Round Handles
- Ceramic Cartridges
- Min Flow Rate 4.0 GPM (15.1 L/MIN) at 20 PSI (ASME A112.18.1)

#### **APPROVALS:**

**Meets or Exceeds The Following:**

- \* ANSI/ASME A112.18.1
- \* IAPMO/cUPC

CL-902C  
Chrome Finish

CL-902BN  
Brushed Nickel Finish

CL-902CJP  
Trim Kit For Roman Tub  
Chrome Finish

CL-902BNJP  
Trim Kit For Roman Tub  
Brushed Nickel Finish



**CALIFORNIA:**  
**TEXAS:**  
**NEW YORK:**

**TEL: 866-532-8306**  
**TEL: 800-935-5456**  
**TEL: 800-431-2082**

**FAX: 866-532-8307**  
**FAX: 800-683-4247**  
**FAX: 800-640-2252**

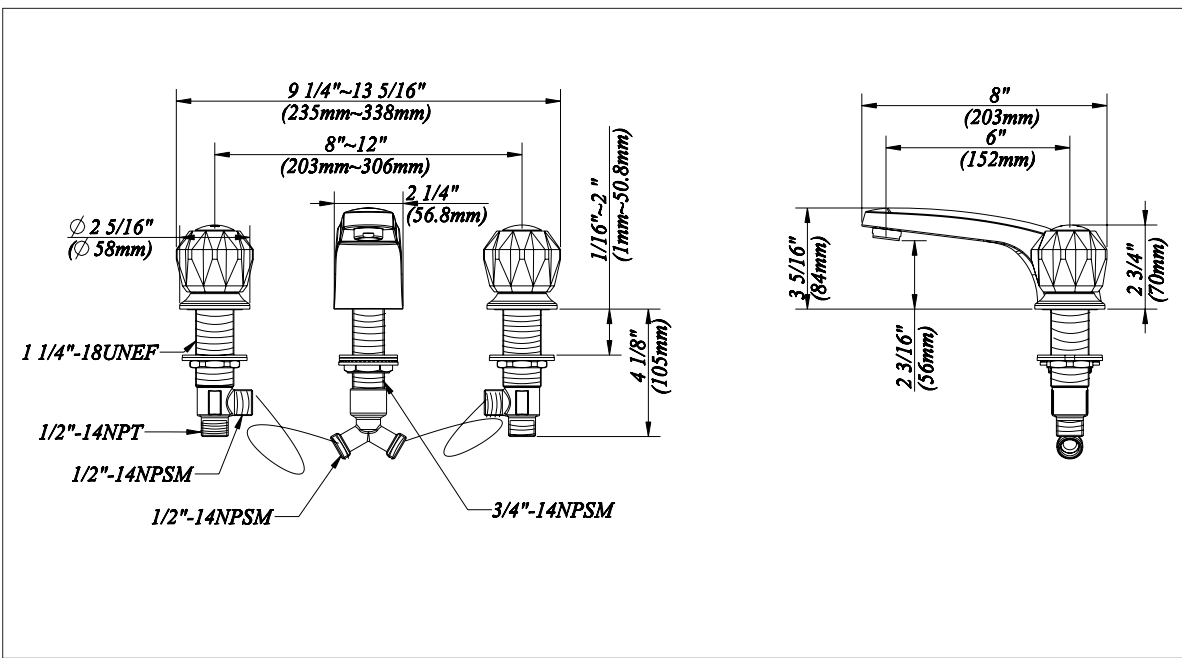
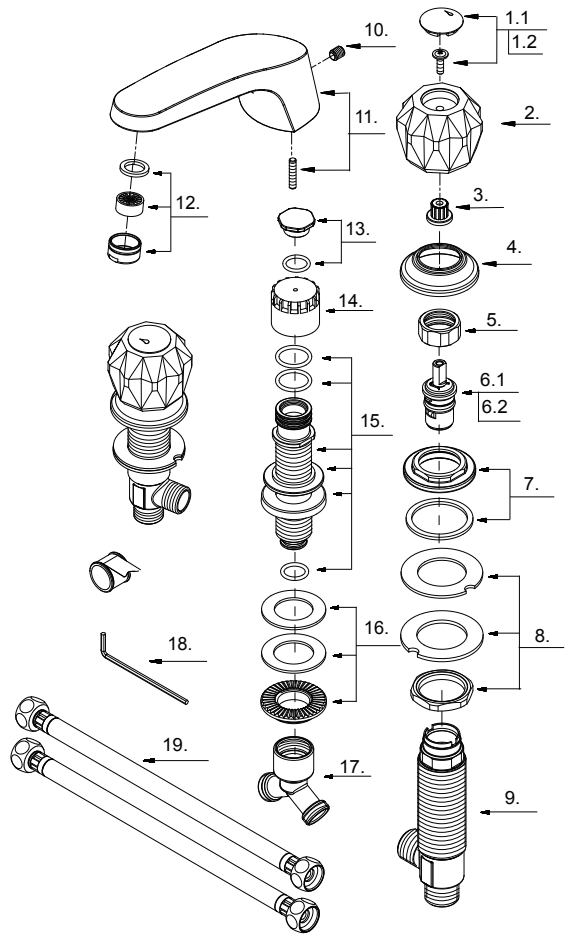
Visit Our Web Site : [www.matco-norca.com](http://www.matco-norca.com)

- CL-902C**       **CL-902CJP**
- CL-902BN**     **CL-902BNJP**



# Two Handle Roman Tub Faucet

No.	Name	Part No.
1.1	Index Button-Cold	A603495C
1.2	Index Button-Hot	A603495H
2	Acrylic Handle	A029000
3	Handle Adapter	A110326
4	Handle Trim Ring	A215342
5	Retainer Nut	A016259
6.1	Ceramic Disc Cartridge-Cold	A507102W
6.2	Ceramic Disc Cartridge-Hot	A507101W
7	Lock Nut	A66D928
8	Mounting Hardware	A66D626
9	Handle Valve Body	A002570
10	Screw (5/16" -18 UNC-2B * 3/8" L)	A053051
11	Spout Set	A666694-T
12	Aerator	A500140
13	Spout Plug	A603046
14	Spout Rough In Cap	A045153
15	Spout Body	A66D929
16	Mounting Hardware	A663491
17	"Y" Adaptor	A015224
18	Hex Wrench (H4 * 20 mm L * 70 mm L)	A031011NI
19	Supply Hose	A105051



**Product Spec Sheet**

**CALIFORNIA:**  
**TEXAS:**  
**NEW YORK:**

**TEL: 866-532-8306**  
**TEL: 800-935-5456**  
**TEL: 800-431-2082**

**FAX: 866-532-8307**  
**FAX: 800-683-4247**  
**FAX: 800-640-2252**

Visit Our Web Site : [www.matco-norca.com](http://www.matco-norca.com)