

□ **CL-482C**

□ **CL-482BN**



## **6" - 12" Two Handle Widespread Lavatory Faucet**

# Product Spec Sheet



### **FEATURES & BENEFITS**

- This Product Contains Less Than 0.25% Weighted Average Lead Content On Wetted Surfaces
- Acrylic Round Handles
- Washerless Cartridges
- Brass Pop-up
- Max Flow Rate 1.2 GPM (4.5 L/MIN) At 60 PSI (ASME A112.18.1M/A112.18.1)

CL-482C  
Chrome Finish

CL-482BN  
Brushed Nickel Finish

#### **APPROVALS:**

**Meets or Exceeds The Following:**

- \* ANSI/ASME A112.18.1M/A112.18.1
- \* NSF/ANSI 61 - Sec. 9
- \* NSF/ANSI 372
- \* IAPMO/cUPC
- \* CA AB1953



NSF/ANSI 372  
NSF/ANSI 61-9



**CALIFORNIA:**  
**TEXAS:**  
**NEW YORK:**

**TEL: 866-532-8306**  
**TEL: 800-935-5456**  
**TEL: 800-431-2082**

**FAX: 866-532-8307**  
**FAX: 800-683-4247**  
**FAX: 800-640-2252**

Visit Our Web Site : [www.matco-norca.com](http://www.matco-norca.com)

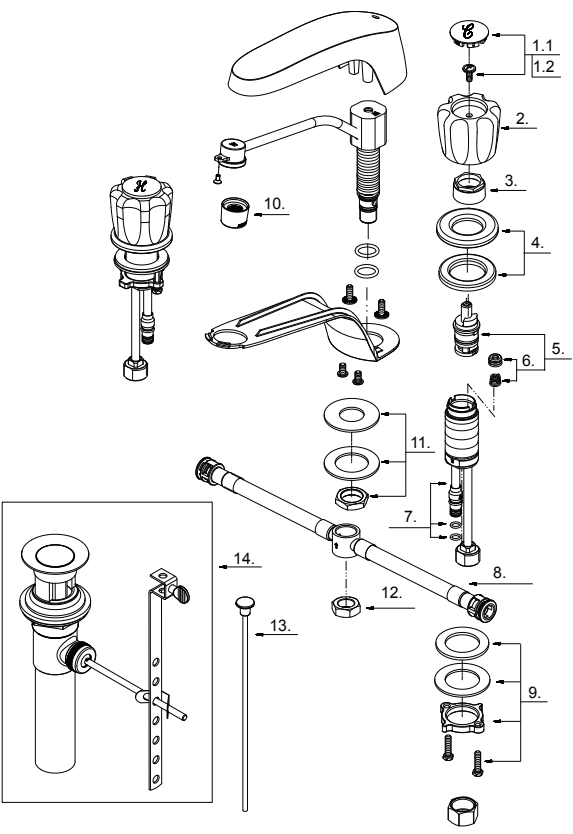
□ **CL-482C**

□ **CL-482BN**

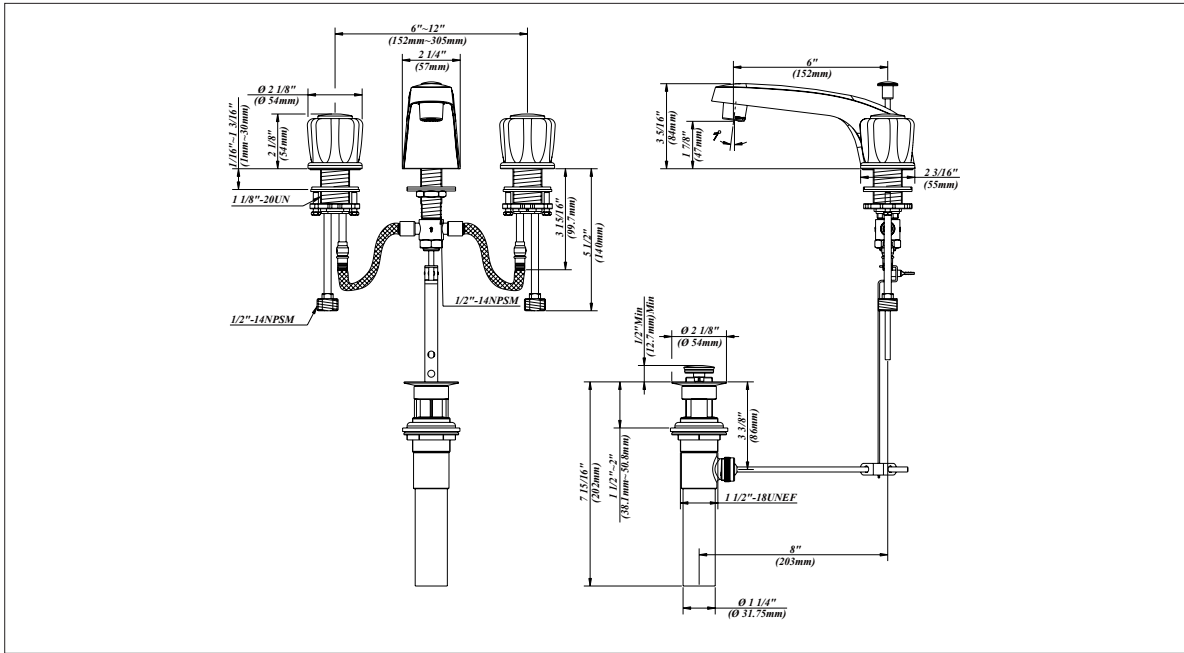


# 6" - 12" Two Handle Widespread Lavatory Faucet

No.	Name	Part No.
1.1	Index Button-Cold	A66E233C
1.2	Index Button-Hot	A66E233H
2	Acrylic Handle	A029001
3	Retainer Nut	A016003
4	Handle Trim Ring	A663201
5	Washerless Cartridge Assembly	A66D636N
6	Seat & Spring Set	A663002
7	Handle Valve Body	A661003W
8	Supply Hose	A105759N
9	Mounting Hardware Assembly	A663856
10	Aerator	A500267N-64
11	Nut & Seal	A603642
12	Nut	A009015
13	Lift-Rod	A025395
14	Pop-up Assembly	A556200L



**Product Spec Sheet**



**CALIFORNIA:** TEL: 866-532-8306  
**TEXAS:** TEL: 800-935-5456  
**NEW YORK:** TEL: 800-431-2082

**FAX:** 866-532-8307  
**FAX:** 800-683-4247  
**FAX:** 800-640-2252

Visit Our Web Site : [www.matco-norca.com](http://www.matco-norca.com)