

□ **CL-400CB**



# Product Spec Sheet

## 4" Two Handle Lavatory Faucet



### FEATURES & BENEFITS

- This Product Contains Less Than 0.25% Weighted Average Lead Content On Wetted Surfaces
- Wrist Blade Handles
- Washerless Cartridges
- Max Flow Rate 1.5 GPM(5.7 LPM) at 60 PSI (ASME.A112.18.1)

CL-400CB  
Chrome Finish

#### APPROVALS:

Meets or Exceeds The Following:

- \* ANSI/ASME A112.18.1
- \* ANSI/NSF 61 – Sec. 9
- \* IAPMO/UPC
- \* CA AB1953



**CALIFORNIA:**  
**TEXAS:**  
**NEW YORK:**

**TEL: 866-532-8306**  
**TEL: 800-935-5456**  
**TEL: 800-431-2082**

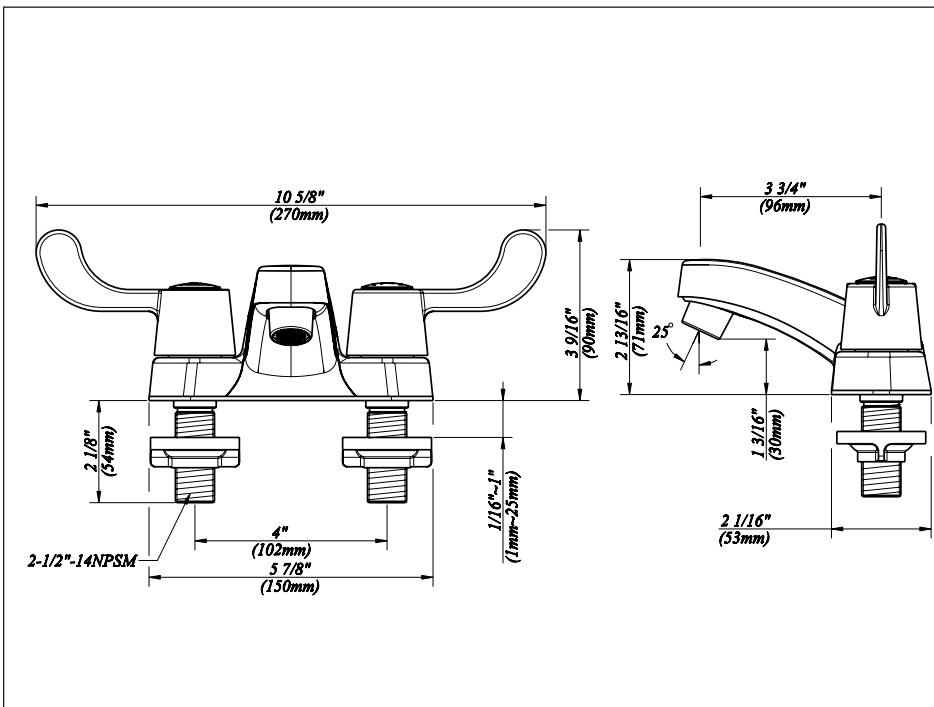
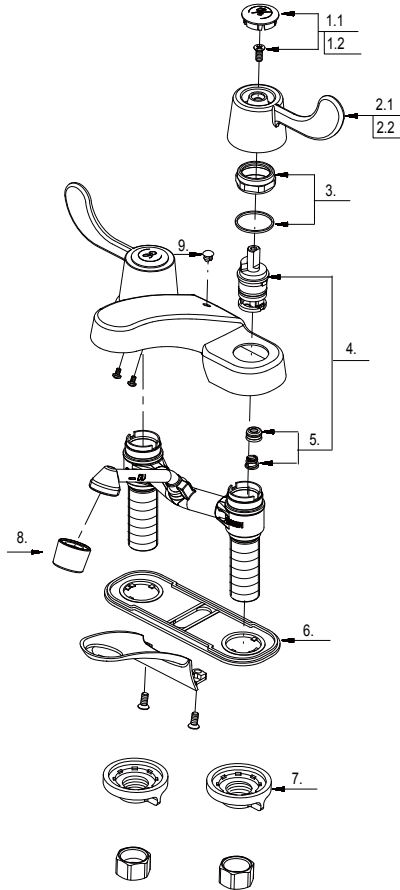
**FAX: 866-532-8307**  
**FAX: 800-683-4247**  
**FAX: 800-640-2252**

Visit Our Web Site : [www.matco-norca.com](http://www.matco-norca.com)

# 4" Two Handle Lavatory Faucet

# Product Spec Sheet

| No. | Name                  | Material                  |
|-----|-----------------------|---------------------------|
| 1.1 | Index Button-Cold     | Plastic                   |
| 1.1 | Index Button-Hot      | Plastic                   |
| 2.1 | Metal Handle-Cold     | Zinc Alloy                |
| 2.2 | Metal Handle-Hot      | Zinc Alloy                |
| 3   | Retainer Nut & Washer | Brass & Plastic           |
| 4   | Cartridge Assembly    | Stainless Steel & Plastic |
| 5   | Seat & Spring Set     | Stainless Steel & Plastic |
| 6   | Putty Plate           | Plastic                   |
| 7   | Lock Nut Set          | Plastic                   |
| 8   | Aerator               | Brass & Plastic           |
| 9   | Lift Rod Plug         | Plastic                   |



**APPROVALS:**

Meets or Exceeds The Following:

- \* ANSI/ASME A112.18.1
- \* ANSI/NSF 61 – Sec. 9
- \* IAPMO/UPC
- \* CA AB1953

**CALIFORNIA:** TEL: 866-532-8306 FAX: 866-532-8307  
**TEXAS:** TEL: 800-935-5456 FAX: 800-683-4247  
**NEW YORK:** TEL: 800-431-2082 FAX: 800-640-2252