

8" Hi-rise Two Handle Kitchen Faucet

Product Spec Sheet



FEATURES & BENEFITS

CL-250CB
Chrome Finish

- This Product Contains Less Than 0.25% Weighted Average Lead Content On Wetted Surfaces
- Metal Wrist Blade Handles
- Washerless Cartridge
- Max Flow Rate 1.5 GPM (5.7 L/MIN) At 60 PSI (ASME A112.18.1M/A112.18.1)

APPROVALS:

Meets or Exceeds The Following:

- * ANSI/ASME A112.18.1M/A112.18.1
- * NSF/ANSI 61 - Sec. 9
- * NSF/ANSI 372
- * IAPMO/cUPC
- * CA AB1953



NSF/ANSI 372
NSF/ANSI 61-9



CALIFORNIA:
TEXAS:
NEW YORK:

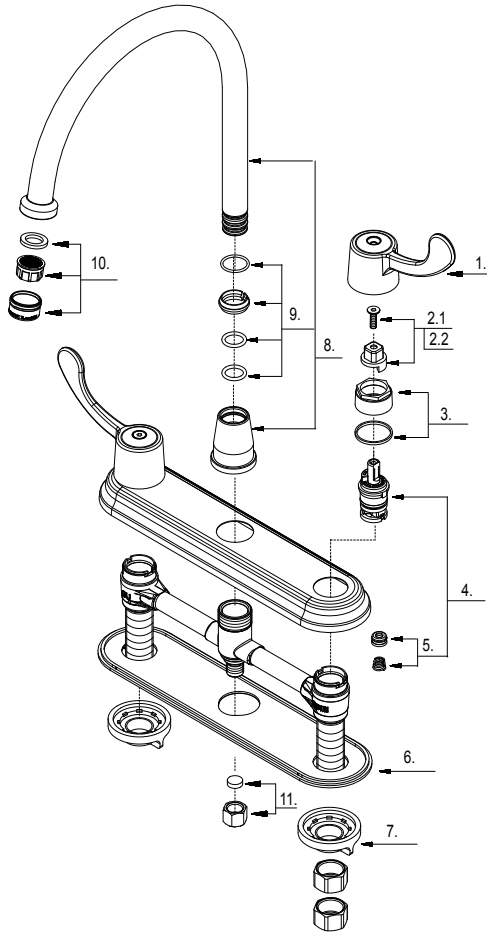
TEL: 866-532-8306
TEL: 800-935-5456
TEL: 800-431-2082

FAX: 866-532-8307
FAX: 800-683-4247
FAX: 800-640-2252

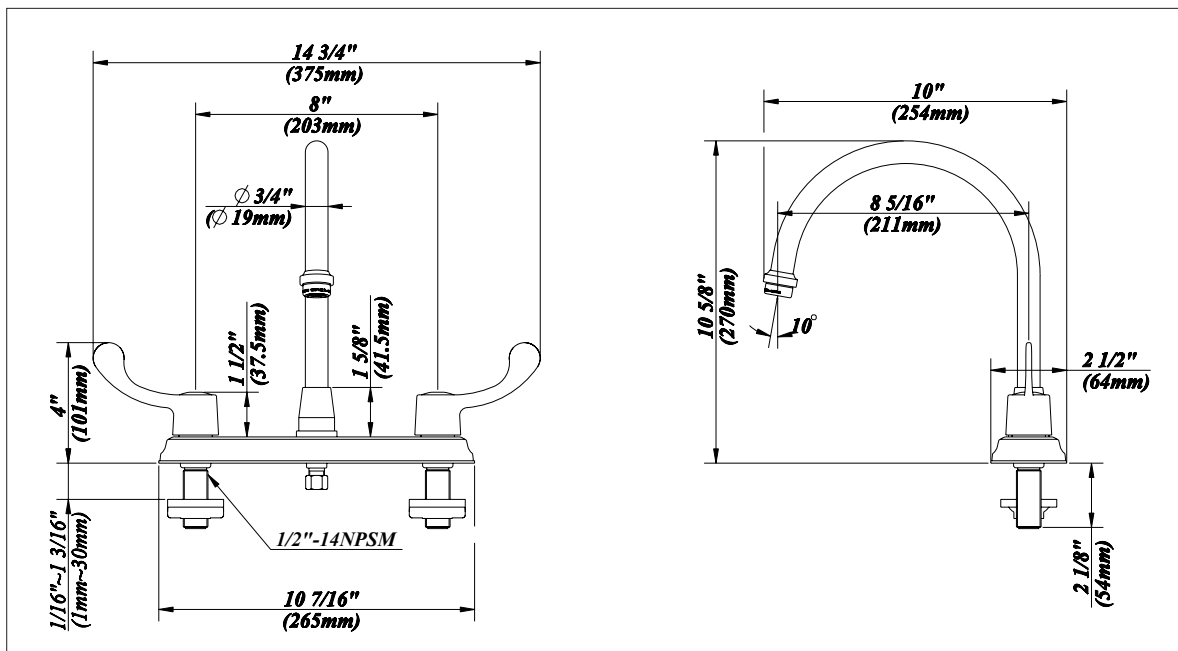
Visit Our Web Site : www.matco-norca.com

8" Hi-rise Two Handle Kitchen Faucet

No.	Name	Part No.
1	Metal Handle	A069796
2.1	Handle Adaptor-Cold	A663306C
2.2	Handle Adaptor-Hot	A663306H
3	Retainer Nut & Washer	A663629
4	Cartridge Assembly	A66D636N
5	Seat & Spring Set	A663002
6	Putty Plate	A011003
7	Lock Nut Set	A504023
8	Spout Set	A666125N
9	Spout Seal Kit	A663696N
10	Aerator	A500872N-51
11	Plug	A603838N



Product Spec Sheet



CALIFORNIA:
TEXAS:
NEW YORK:

TEL: 866-532-8306
TEL: 800-935-5456
TEL: 800-431-2082

FAX: 866-532-8307
FAX: 800-683-4247
FAX: 800-640-2252

Visit Our Web Site : www.matco-norca.com