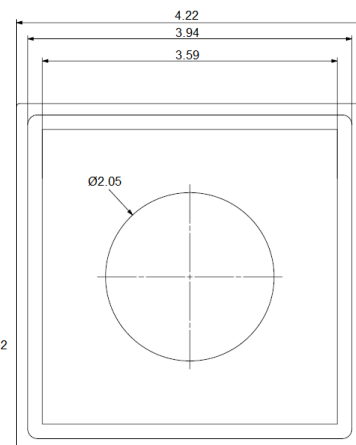
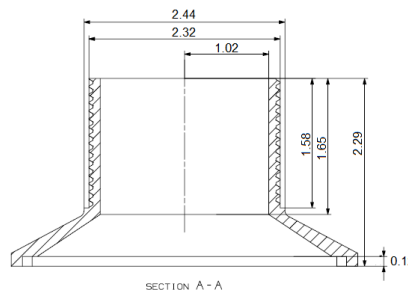
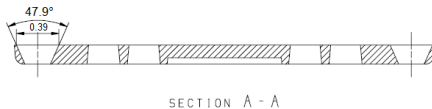
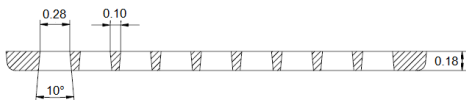
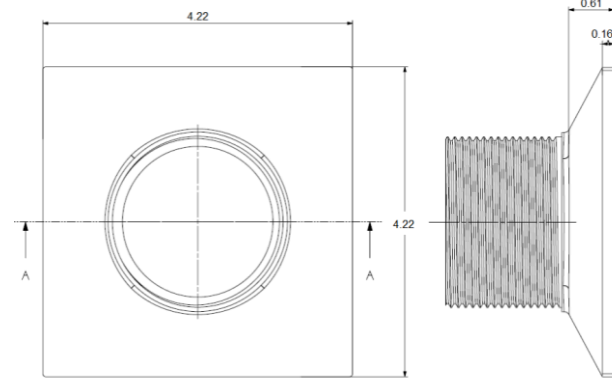
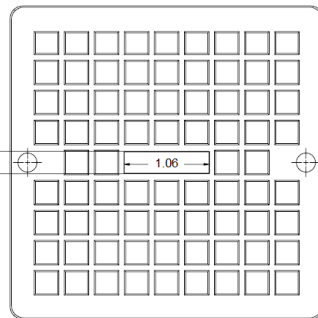
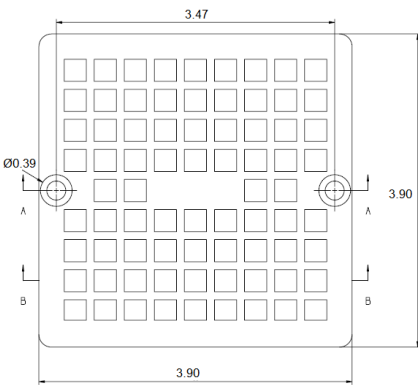


CISDCP2NHSQ Shower Drain • Spec Sheet



FEATURES & BENEFITS

- 2" No Hub Heavy Duty Shower Drain
- Chrome Plated Square Strainer
- Epoxy Coated Cast Iron Body
- Epoxy Coated Bolt Down Ring
- Adjustable Cast Brass Strainer Assembly



MATCO-NORCA
Global sourcing. National compliance. Local service.

CALIFORNIA 5595 Fresca Dr., La Palma CA 90623
TEXAS 1150 Silber Rd., Houston TX 77055
ILLINOIS 278 Windy Point Dr., Glendale Heights, IL 60139
GEORGIA 113 Industrial Blvd., Americus, Georgia 31709
NEW YORK PO Box 27, Rt.22, Brewster NY 10509
 WEB: www.matco-norca.com

• Phone: 866-532-8306 • Fax: 866-532-8307
 • Phone: 800-935-5456 • Fax: 713-680-2999
 • Phone: 844-412-5068 • Fax: 800-640-2252
 • Phone: 800-433-7526 • Fax: 800-533-5134
 • Phone: 800-431-2082 • Fax: 845-278-9056
 EMAIL: mail@matco-norca.com