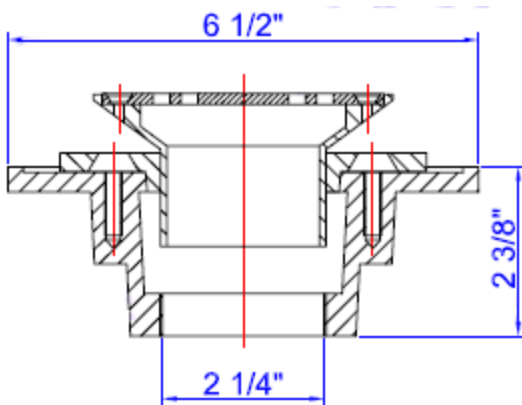


CISD Shower Drain • Spec Sheet



FEATURES & BENEFITS

- Heavy Duty Epoxy Coated Cast Iron Body
- Epoxy Coated Bolt Down Ring
- Adjustable Cast Brass Strainer Assembly - Chrome Plated or Polished Brass



Part #	Size & Description
CISDCP2NH	2" No Hub with Chrome Plated Strainer
CISDPB2NH	2" No Hub with Polished Brass Strainer
CISDCP2IP	2" IPS with Chrome Plated Strainer
CISDPB2IP	2" IPS with Polished Brass Strainer
Grid Only For Shower Drain	
CISDCPSTR	Chrome Plated
CISDPBSTR	Polished Brass


MATCO-NORCA
 Global sourcing. National compliance. Local service.

CALIFORNIA 5593 Fresca Dr., La Palma CA 90623 • Toll Free: 866-532-8306 • Fax: 866-532-8307
TEXAS 1150 Silber Rd., Houston TX 77055 • Toll Free: 800-935-5456 • Fax: 713-680-2999
NEW YORK PO Box 27, Rt. 22, Brewster NY 10509 • Toll Free: 800-431-2082 • Fax: 845-278-9056
 WEB: www.matco-norca.com EMAIL: mail@matco-norca.com