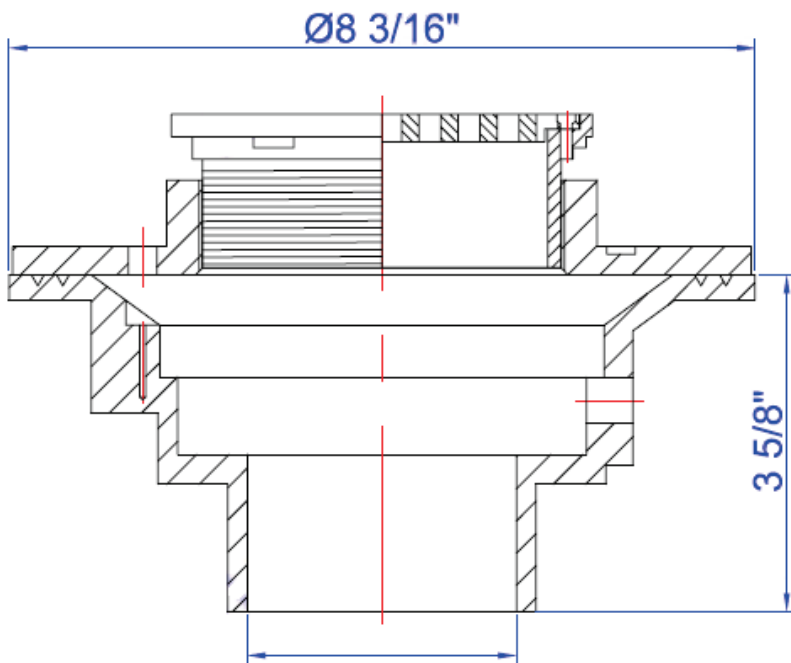


CIFD Adjustable Shower Drain • Spec Sheet



FEATURES & BENEFITS

- Epoxy Coated Cast Iron Body
- Epoxy Coated Clamping Ring
- Adjustable Chrome Plated Brass Strainers Body



Part #	Size & Description
CIFD15NH2	2" No Hub
CIFD15NH3	3" No Hub
CIFD15NH4	4" No Hub

