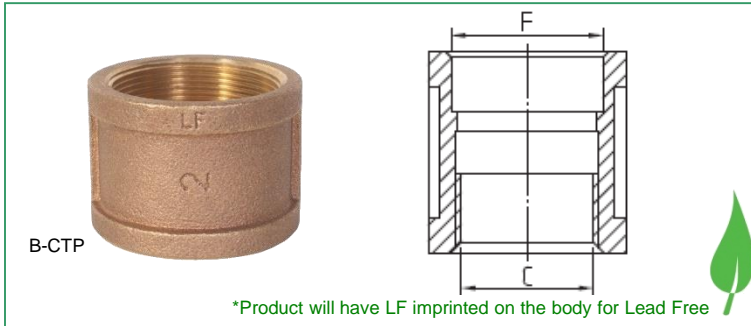
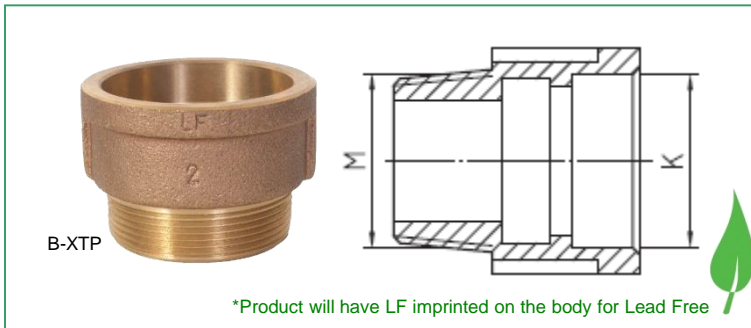


Lead Free Bronze TP Adapters • Spec Sheet



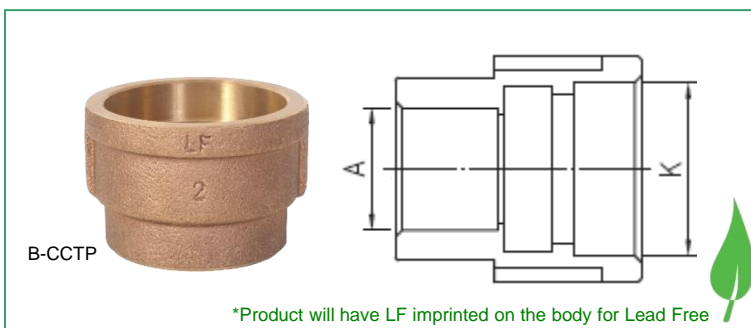
Female X TP

| PART # | SIZE | F | C |
|-----------|--------|------|------|
| B-CTP03LF | 1/2" | 0.85 | 0.50 |
| B-CTP04LF | 3/4" | 1.06 | 0.75 |
| B-CTP05LF | 1" | 1.32 | 1.00 |
| B-CTP06LF | 1-1/4" | 1.67 | 1.25 |
| B-CTP07LF | 1-1/2" | 1.91 | 1.50 |
| B-CTP08LF | 2" | 2.39 | 2.00 |
| B-CTP09LF | 2-1/2" | 2.89 | 2.50 |
| B-CTP10LF | 3" | 3.51 | 3.00 |
| B-CTP11LF | 4" | 4.52 | 4.00 |



Male X TP

| PART # | SIZE | M | K |
|-----------|--------|------|------|
| B-XTP03LF | 1/2" | 0.50 | 0.85 |
| B-XTP04LF | 3/4" | 0.75 | 1.06 |
| B-XTP05LF | 1" | 1.00 | 1.32 |
| B-XTP06LF | 1-1/4" | 1.25 | 1.67 |
| B-XTP07LF | 1-1/2" | 1.50 | 1.91 |
| B-XTP08LF | 2" | 2.00 | 2.39 |
| B-XTP09LF | 2-1/2" | 2.50 | 2.89 |
| B-XTP10LF | 3" | 3.00 | 3.51 |
| B-XTP11LF | 4" | 4.00 | 4.52 |



Sweat X TP

| PART # | SIZE | A | K |
|------------|--------|------|------|
| B-CCTP03LF | 1/2" | 0.63 | 0.85 |
| B-CCTP04LF | 3/4" | 0.88 | 1.06 |
| B-CCTP05LF | 1" | 1.13 | 1.32 |
| B-CCTP06LF | 1-1/4" | 1.38 | 1.67 |
| B-CCTP07LF | 1-1/2" | 1.63 | 1.91 |
| B-CCTP08LF | 2" | 2.13 | 2.39 |
| B-CCTP09LF | 2-1/2" | 2.63 | 2.89 |
| B-CCTP10LF | 3" | 3.13 | 3.51 |
| B-CCTP11LF | 4" | 4.13 | 4.52 |



* These product complies with 0.25% weighted average lead content on wetted surfaces in accordance with Safe Water Drinking Act (SDWA) / Federal Public Law No. 111-380.

Global sourcing. National compliance. Local service.

CALIFORNIA 5593 Fresca Dr., La Palma CA 90623 • Toll Free: 866-532-8306 • Fax: 866-532-8307
TEXAS 1150 Silber Rd., Houston TX 77055 • Toll Free: 800-935-5456 • Fax: 713-680-2999
NEW YORK PO Box 27, Rt. 22, Brewster NY 10509 • Toll Free: 800-431-2082 • Fax: 845-278-9056
 WEB: www.matco-norca.com EMAIL: mail@matco-norca.com