

BY-757C
 BY-7570RB

BY-757BN



Metal Slip Fit Diverter Spout



FEATURES & BENEFITS

- Metal Slip Fit Diverter Spout
- With Base Ring

BY-757C
Chrome Finish

BY-757BN
Brushed Nickel Finish

BY-7570RB
Oil Rubbed Bronze Finish

APPROVALS:

Meets or Exceeds The Following:

- * ANSI/ASME A112.18.1
- * IAPMO/cUPC



CALIFORNIA:
TEXAS:
NEW YORK:

TEL: 866-532-8306
TEL: 800-935-5456
TEL: 800-431-2082

FAX: 866-532-8307
FAX: 800-683-4247
FAX: 800-640-2252

Visit Our Web Site : www.matco-norca.com

Product Spec Sheet

BY-757C

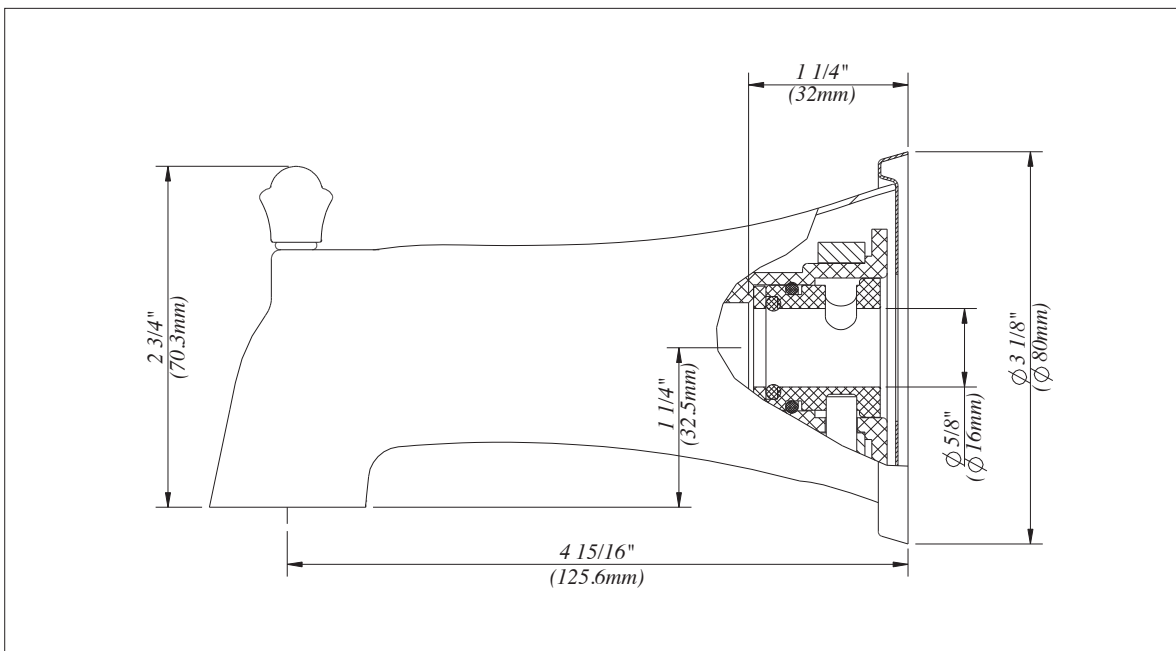
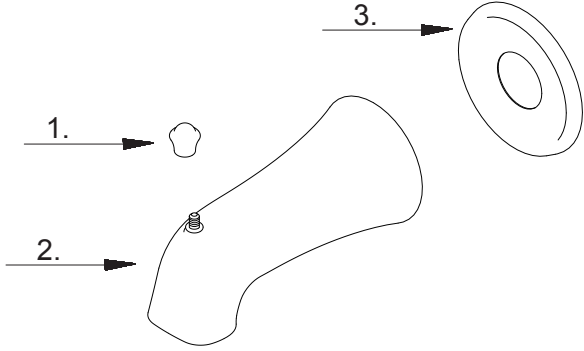
BY-757BN



BY-757ORB

Metal Slip Fit Diverter Spout

No.	Name	Part No.
1	Lift Rod Head	A124338
2	Spout W/Diverter	A523476
3	Tub Spout Trim Ring	A303028



Product Spec Sheet

CALIFORNIA:
TEXAS:
NEW YORK:

TEL: 866-532-8306
TEL: 800-935-5456
TEL: 800-431-2082

FAX: 866-532-8307
FAX: 800-683-4247
FAX: 800-640-2252

Visit Our Web Site : www.matco-norca.com