

BY-756C
 BY-756ORB

BY-756BN



Metal Slip Fit Diverter Spout



FEATURES & BENEFITS

- Metal Slip Fit Diverter Spout

BY-756C
Chrome Finish

BY-756BN
Brushed Nickel Finish

BY-756ORB
Oil Rubbed Bronze Finish

APPROVALS:

Meets or Exceeds The Following:

- * ANSI/ASME A112.18.1
- * IAPMO/cUPC



CALIFORNIA:
TEXAS:
NEW YORK:

TEL: 866-532-8306
TEL: 800-935-5456
TEL: 800-431-2082

FAX: 866-532-8307
FAX: 800-683-4247
FAX: 800-640-2252

Visit Our Web Site : www.matco-norca.com

Product Spec Sheet

BY-756C

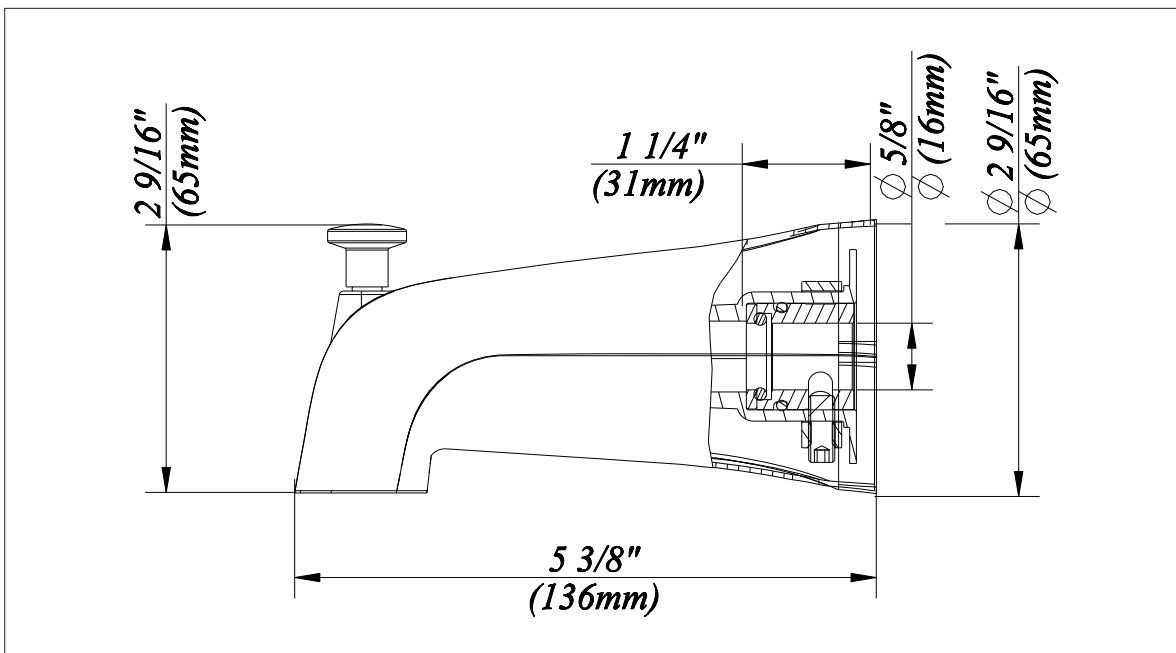
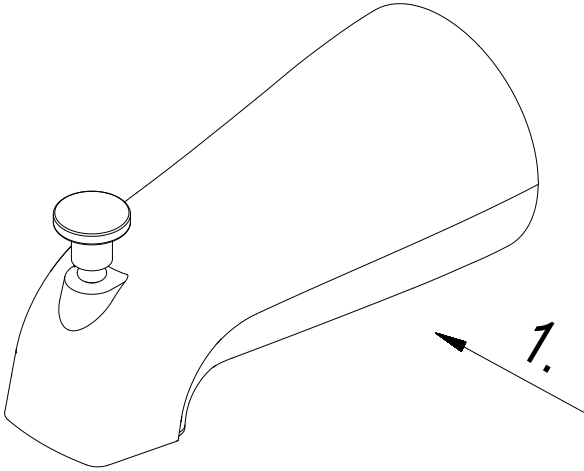
BY-756BN



BY-756ORB

Metal Slip Fit Diverter Spout

No.	Name	Part No.
1	Spout W/Diverter	A118011



Product Spec Sheet

CALIFORNIA:
TEXAS:
NEW YORK:

TEL: 866-532-8306
TEL: 800-935-5456
TEL: 800-431-2082

FAX: 866-532-8307
FAX: 800-683-4247
FAX: 800-640-2252

Visit Our Web Site : www.matco-norca.com