

BL-500C
 BL-5000RB

BL-500BN



Single Handle Lavatory Faucet



FEATURES & BENEFITS

- This Product Contains Less Than 0.25% Weighted Average Lead Content On Wetted Surfaces
- Metal Lever Handle
- Ceramic Cartridge
- Brass Pop-up
- Single Hole Or Three Hole Installation
- Max Flow Rate 1.2 gpm (4.5 L/min) at 60 psi (ASME A112.18.1M/A112.18.1)

BL-500C
Chrome Finish

BL-500BN
Brushed Nickel Finish

BL-500ORB
Oil Rubbed Bronze Finish

APPROVALS:

Meets or Exceeds The Following:

- * ANSI/ASME A112.18.1M/A112.18.1
- * NSF/ANSI 61 - Sec. 9
- * NSF/ANSI 372
- * IAPMO/cUPC
- * CA AB1953



NSF/ANSI 372
NSF/ANSI 61-9



CALIFORNIA:
TEXAS:
NEW YORK:

TEL: 866-532-8306
TEL: 800-935-5456
TEL: 800-431-2082

FAX: 866-532-8307
FAX: 800-683-4247
FAX: 800-640-2252

Visit Our Web Site : www.matco-norca.com

Product Spec Sheet

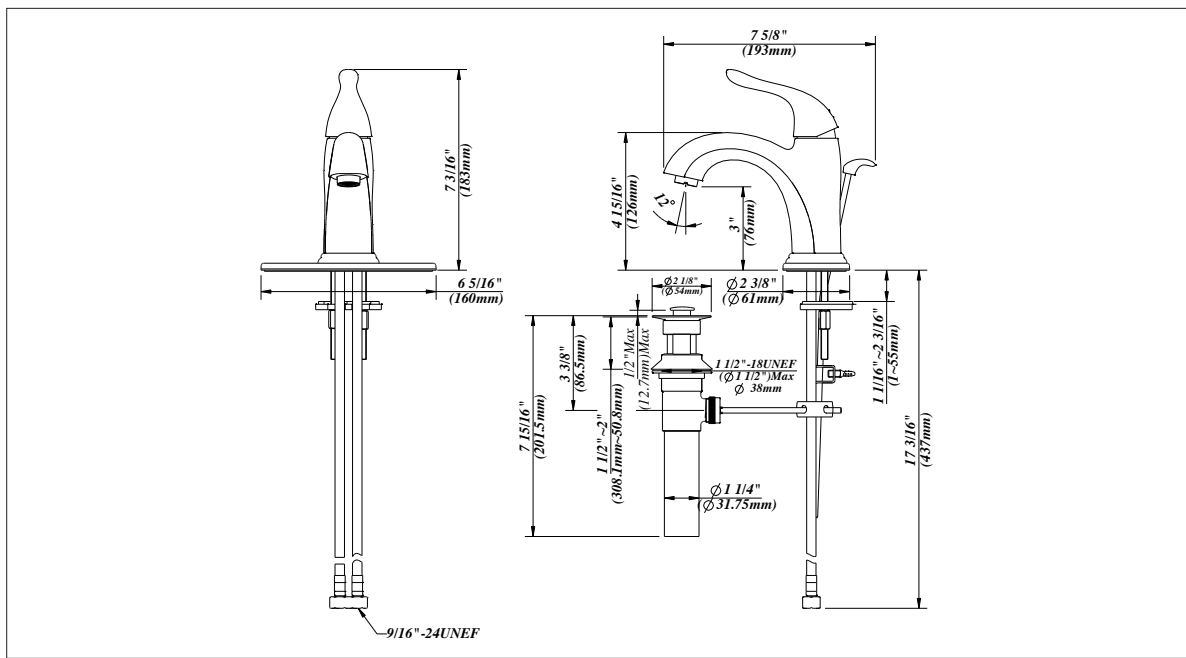
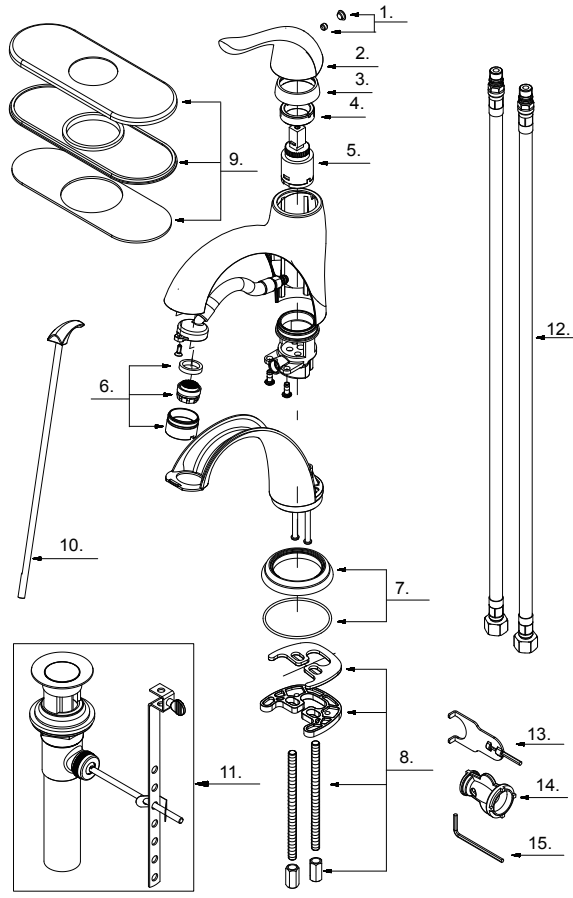
BL-500C
 BL-500RB

BL-500BN



Single Handle Lavatory Faucet

No.	Name	Part No.
1	Index Button	A66G325
2	Metal Handle	A069215
3	Trim Cap	A103005
4	Locking Nut	A104322
5	Ceramic Disc Cartridge	A507906N
6	Aerator	A500026N-51-T
7	Spout Trim Ring	A66F537
8	Mounting Hardware Assembly	A603106
9	Cover Plate & Putty Plate	A66F594
10	Lift Rod	A124350
11	Pop-up Assembly	A505016
	Pop-up Assembly (for ORB finish)	A556200
12	Supply Hose	A105652W
13	Wrench	A031022NI
14	Aerator Wrench (20.6 * 27.4 * 40 * 36 mm)	A031245
15	Hex Wrench (H2.5 * 19 mm L * 53mmL)	A031000NI



Product Spec Sheet