

**BL-400CL**

**BL-400C**

**BL-400BN**

**BL-400ORB**



## 4" Two Handle Lavatory Faucet

# Product Spec Sheet



### FEATURES & BENEFITS

- This Product Contains Less Than 0.25% Weighted Average Lead Content On Wetted Surfaces
- Metal Lever Handles
- Ceramic Cartridges
- Brass Pop-up
- Max Flow Rate 1.2 GPM (4.5 L/MIN) At 60 PSI (ASME A112.18.1M/A112.18.1)

#### APPROVALS:

Meets or Exceeds The Following:

- \* ANSI/ASME A112.18.1M/A112.18.1
- \* NSF/ANSI 61 - Sec. 9
- \* NSF/ANSI 372
- \* IAPMO/cUPC
- \* CA AB1953

BL-400C  
Chrome Finish

BL-400BN  
Brushed Nickel Finish

BL-400ORB  
Oil Rubbed Bronze Finish

BL-400CL  
Less Pop-up  
Chrome Finish

**CALIFORNIA:**  
**TEXAS:**  
**NEW YORK:**

**TEL: 866-532-8306**  
**TEL: 800-935-5456**  
**TEL: 800-431-2082**

**FAX: 866-532-8307**  
**FAX: 800-683-4247**  
**FAX: 800-640-2252**



NSF/ANSI 372  
NSF/ANSI 61-9



Visit Our Web Site : [www.matco-norca.com](http://www.matco-norca.com)

**BL-400CL**

**BL-400C**

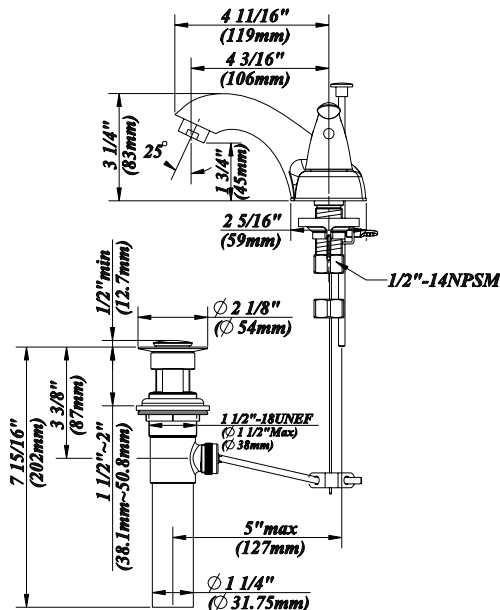
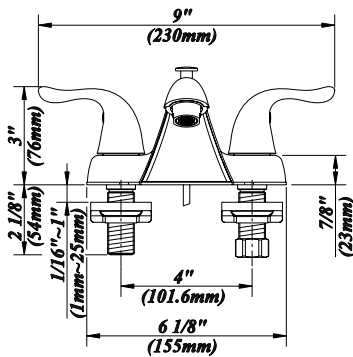
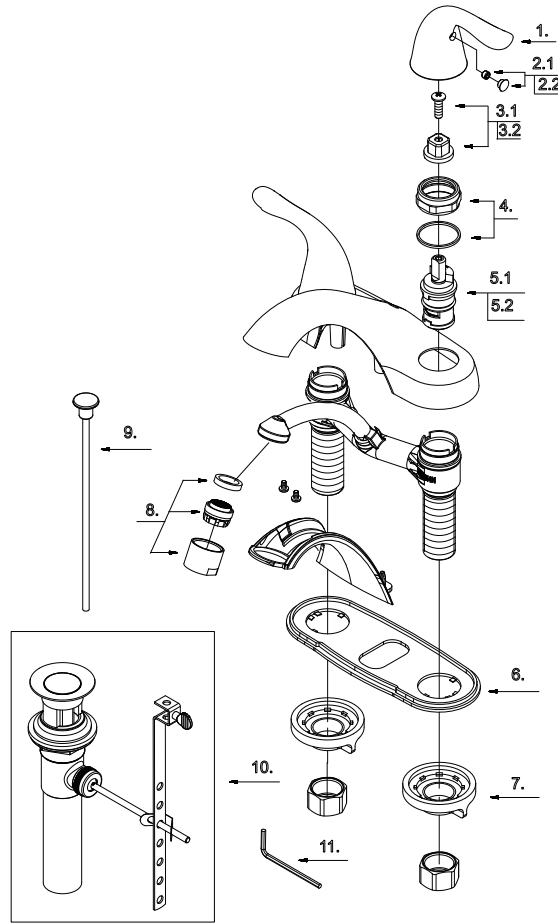
**BL-400BN**

**BL-400ORB**



# 4" Two Handle Lavatory Faucet

No.	Name	Part No.
1	Metal Handle Assembly	A069115
2.1	Index Button-Cold	A603595C
2.2	Index Button-Hot	A603595H
3.1	Handle Adaptor-Cold	A66D574C
3.2	Handle Adaptor-Hot	A66D574H
4	Retainer Nut & Washer	A663631
5.1	Ceramic Disc Cartridge-Cold	A507104N
5.2	Ceramic Disc Cartridge-Hot	A507103N
6	Putty Plate	A011005
7	Lock Nut Set	A504023
8	Aerator	A500124N-55
9	Lift Rod	A025011
10	Pop-up Assembly	A556200
11	Hex Wrench (H 2.5 * 19 mm L * 53 mm L)	A031000NI



# Product Spec Sheet

CALIFORNIA:  
TEXAS:  
NEW YORK:

TEL: 866-532-8306  
TEL: 800-935-5456  
TEL: 800-431-2082

FAX: 866-532-8307  
FAX: 800-683-4247  
FAX: 800-640-2252

Visit Our Web Site : [www.matco-norca.com](http://www.matco-norca.com)