

# BFP Back Flow Preventer • Spec Sheet



## DIMENSIONS

Part #	Size
BFP-90-1/2	1/2" IPS
BFP-90-3/4	3/4" IPS
BFP-90-1/2C	1/2" C X C
BFP-90-3/4C	3/4" C X C

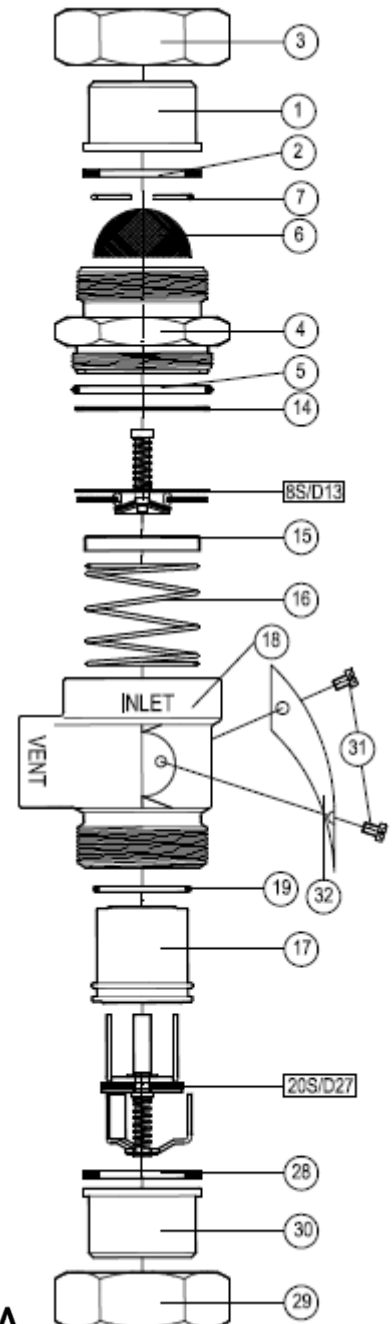
## FEATURES & BENEFITS

- ASSE Standard 1012
- 175 PSI Max.
- 250 Deg. F. Max. Backflow Temp.
- Atmospheric Vent
- Bronze Body
- Stainless Steel Internal Parts
- Sizes 1/2" and 3/4" Union Connections

**BFP-90KIT:** Complete Internal Repair Kit Available

## MATERIAL SPECIFICATIONS

No.	Part	Material
1	Nipple	Brass B124 C37700
2	Packing Nipple	Fibre
3	Nipple Nut	Brass B124 C37700
4	Bonnet	Brass B124 C37700
5	O Ring Bonnet	Rubber SAE No 1052#
6	Filter	Stainless Steel
7	Snap Ring	Stainless Steel
08-13	Seat Packing Set	Rubber SAE No 1052# & Stainless Steel
14	Packing Bonnet	Fibre
15	Spring Cap	Stainless Steel
16	Spring	Stainless Steel
17	Seat House	Brass B124 C37700
18	Body	Bronze
19	O Ring Seat House	Rubber SAE No 1052#
20-27	Seat Packing Set	Rubber SAE No 1052# & Stainless Steel
28	Packing Nipple	Fibre
29	Nipple Nut	Brass B124 C37700
30	Nipple	Brass B124 C37700
31	Bolt	Iron
32	Name Plate	Aluminium



**MATCO-NORCA**  
Global sourcing. National compliance. Local service.

**CALIFORNIA** 5595 Fresca Dr., La Palma CA 90623  
**TEXAS** 1150 Silber Rd., Houston TX 77055  
**ILLINOIS** 278 Windy Point Dr., Glendale Heights, IL 60139  
**GEORGIA** 113 Industrial Blvd., Americus, Georgia 31709  
**NEW YORK** PO Box 27, Rt.22, Brewster NY 10509  
 WEB: [www.matco-norca.com](http://www.matco-norca.com)

• Phone: 866-532-8306 • Fax: 866-532-8307  
 • Phone: 800-935-5456 • Fax: 713-680-2999  
 • Phone: 844-412-5068 • Fax: 800-640-2252  
 • Phone: 800-433-7526 • Fax: 800-533-5134  
 • Phone: 800-431-2082 • Fax: 845-278-9056  
 EMAIL: [mail@matco-norca.com](mailto:mail@matco-norca.com)